



**HAL**  
open science

# Composite boson signature in the interference pattern of atomic dimer condensates

Shiue-Yuan Shiau, Aurélia Chenu, Monique Combescot

► **To cite this version:**

Shiue-Yuan Shiau, Aurélia Chenu, Monique Combescot. Composite boson signature in the interference pattern of atomic dimer condensates. *New Journal of Physics*, 2019, 21 (4), pp.043041. 10.1088/1367-2630/ab0cc6 . hal-02125364

**HAL Id: hal-02125364**

**<https://hal.sorbonne-universite.fr/hal-02125364>**

Submitted on 10 May 2019

**HAL** is a multi-disciplinary open access archive for the deposit and dissemination of scientific research documents, whether they are published or not. The documents may come from teaching and research institutions in France or abroad, or from public or private research centers.

L'archive ouverte pluridisciplinaire **HAL**, est destinée au dépôt et à la diffusion de documents scientifiques de niveau recherche, publiés ou non, émanant des établissements d'enseignement et de recherche français ou étrangers, des laboratoires publics ou privés.

PAPER • OPEN ACCESS

## Composite boson signature in the interference pattern of atomic dimer condensates

To cite this article: Shiu-Yuan Shiau *et al* 2019 *New J. Phys.* **21** 043041

View the [article online](#) for updates and enhancements.



**IOP** | ebooks™

Bringing you innovative digital publishing with leading voices to create your essential collection of books in STEM research.

Start exploring the collection - download the first chapter of every title for free.



## PAPER

## Composite boson signature in the interference pattern of atomic dimer condensates

## OPEN ACCESS

## RECEIVED

17 December 2018

## REVISED

22 February 2019

## ACCEPTED FOR PUBLICATION

5 March 2019

## PUBLISHED

23 April 2019

Original content from this work may be used under the terms of the [Creative Commons Attribution 3.0 licence](#).

Any further distribution of this work must maintain attribution to the author(s) and the title of the work, journal citation and DOI.

Shiue-Yuan Shiau<sup>1</sup> , Aurélia Chenu<sup>2,3,5</sup> and Monique Combescot<sup>4</sup><sup>1</sup> Physics Division, National Center for Theoretical Sciences, Hsinchu 30013, Taiwan<sup>2</sup> Theory Division, Los Alamos National Laboratory, MS-B213, Los Alamos, NM 87545, United States of America<sup>3</sup> Department of Chemistry, Massachusetts Institute of Technology, 77 Massachusetts Avenue, Cambridge, MA 02139, United States of America<sup>4</sup> Sorbonne Université, Institut des NanoSciences de Paris, CNRS, 4 place Jussieu, F-75005 Paris, France<sup>5</sup> Current address: IKERBASQUE research fellow at the Donostia International Physics Center, E-20018 San Sebastián, SpainE-mail: [shiau.sean@gmail.com](mailto:shiau.sean@gmail.com)**Keywords:** BEC, interference pattern, composite boson, atomic dimer, optical lattice**Abstract**

We predict the existence of high frequency modes in the interference pattern of two condensates made of fermionic-atom dimers. These modes, which result from fermion exchanges between condensates, constitute a striking signature of the dimer composite nature. From the 2-coboson spatial correlation function, that we derive analytically, and the Shiva diagrams that visualize many-body effects specific to composite bosons, we identify the physical origin of these high frequency modes and determine the conditions to see them experimentally by using bound fermionic-atom pairs trapped on optical lattice sites. The dimer granularity which appears in these modes comes from Pauli blocking that prevents two dimers to be located at the same lattice site.

**1. Introduction**

All particles consisting of an even number of fermions are boson-like. Although this property merely derives from a mathematical fact—the particle creation operators commute—the boson-like nature of the particles bears a strong consequence: they must undergo Bose–Einstein condensation (BEC). This physical effect has been observed for dilute gases of ultracold bosonic atoms [1–4], decades after Einstein predicted it. An oscillatory behavior showing the condensate coherence has also been observed in the interference pattern of two condensates of bosonic atoms [5–8].

The fact that boson-like particles are made of fermions shows up in nontrivial ways. This composite nature mathematically appears through the commutator of their destruction and creation operators,  $[\mathcal{B}_i, \mathcal{B}_j^\dagger]_- = \delta_{i,j} - D_{i,j}$ . While this commutator reduces to the delta term for elementary bosons, the  $D_{i,j}$  operator is responsible for fermion exchanges with other particles [9, 10]. Although these exchanges are commonly neglected, the composite bosons (cobosons) then reducing to point-like structureless elementary bosons, they can have significant consequences. The study of the particle composite nature in the field of semiconductor excitons was pioneered by Keldysh and Kozlov [11] as early as 1968.

In a gas, the coboson centers of mass are delocalized over the system volume  $L^D$ , where  $D$  is the space dimension, while fermion exchanges occur over the coboson volume  $a_B^D$ , where  $a_B$  is its Bohr radius. So, many-body effects induced by fermion exchanges between  $N$  cobosons are controlled by the dimensionless parameter

$$\eta = N \left( \frac{a_B}{L} \right)^D. \quad (1)$$

This leads us to conclude that the particle composite nature can only have significant consequences for a dense gas at the scale of the coboson size<sup>6</sup>. Sizeable  $\eta$ 's are difficult to reach for cold atoms due to the very small atom

<sup>6</sup> Note that this composite nature also appears at the two-body level, through a significant reduction of the dimer–dimer scattering length by the repeated effective coboson–coboson interaction in which fermion exchange plays a key role [12].

size; yet a  ${}^6\text{Li}_2$  dimer condensate with density reaching 0.3 on the dimer–dimer scattering length scale has been reported [13].

By contrast, in the case of semiconductor Wannier excitons, with size two orders of magnitude larger than typical atoms, values of  $\eta$  as large as 1, or even larger, are easy to reach—although for such large  $\eta$ 's, excitons dissociate into an electron–hole plasma. The Wannier exciton composite nature has been shown to have a significant impact on the physics of excited semiconductors. Among its noticeable consequences, we can cite the exciton optical Stark effect [14–16] and the coexistence of dark and bright condensates [17, 18] that results [19] from the coupling, through fermion exchange, between bright excitons with spin  $\pm 1$  and dark excitons with spin  $\pm 2$ .

It has been shown from the study of Wannier excitons, Frenkel excitons and Cooper pairs [10], that the dimensionless parameter which rules composite boson many-body effects physically corresponds to  $\eta = N / N_{\text{max}}$ , where  $N_{\text{max}}$  is the number of cobosons that the sample can accommodate. For Wannier excitons, this number is  $(L/a_B)^3$ , because for a higher number, excitons overlap and dissociate into an electron–hole plasma. In the case of Frenkel excitons, made of on-site excitations in a periodic lattice,  $N_{\text{max}}$  is the number  $N_s$  of lattice sites in the sample at hand.

As a result, a more controllable platform to get sizable  $\eta$  is not to use a gas but an optical lattice, as previously considered to study Hong-Ou-Mandel-like interferences [20]. Indeed, dense samples in which each lattice potential well traps a single dimer have already been made, with  $\eta \sim 0.4$  for  ${}^{40}\text{K}_2$  fermionic-atom dimers [21], and  $\eta \sim 0.5$  or  $0.8$  for  ${}^{87}\text{Rb}_2$  [22] or  ${}^{133}\text{Cs}_2$  [23] bosonic-atom dimers. In the case of heteronuclear dimers, dense optical lattice samples of RbCs [24] and KRb [25, 26] have also been reported. These studies open an exciting route in the field of cold atoms, toward studying the rich yet essentially unexplored world of many-body effects resulting from dimensionless fermion (or boson) exchanges, that is, exchanges occurring between quantum particles in the absence of energy-like particle-particle interaction.

Motivated by the pioneering studies of condensate coherence properties in the case of bosonic atoms [5–8], we here investigate the effect of the particle composite nature on the interference pattern of two condensates made of fermionic-atom dimers. We first give arguments to find their signature in the spatial correlation function; next, we provide hints on how this function can be analytically derived, and finally we discuss the relevant limits.

To do it, we consider  $N$  pairs of fermionic atoms,  $\alpha$  and  $\beta$ , in different hyperfine states, these atoms being trapped in an optical lattice having  $N_s$  sites. Their Hamiltonian reads as [20]

$$H = H_0 - U_{\alpha\beta} \sum_{i=1}^{N_s} a_{\mathbf{R}_i}^\dagger b_{\mathbf{R}_i}^\dagger b_{\mathbf{R}_i} a_{\mathbf{R}_i} + \sum_i \sum_{j \neq i} V_{\mathbf{R}_j - \mathbf{R}_i} a_{\mathbf{R}_j}^\dagger b_{\mathbf{R}_j}^\dagger b_{\mathbf{R}_i} a_{\mathbf{R}_i}, \quad (2)$$

$$H_0 = \sum_{i=1}^{N_s} \varepsilon_\alpha a_{\mathbf{R}_i}^\dagger a_{\mathbf{R}_i} + \sum_{i=1}^{N_s} \varepsilon_\beta b_{\mathbf{R}_i}^\dagger b_{\mathbf{R}_i}. \quad (3)$$

The  $H_0$  eigenstates for one fermionic-atom pair are  $a_{\mathbf{R}_i}^\dagger b_{\mathbf{R}_i}^\dagger |\nu\rangle$  with energy  $\varepsilon_\alpha + \varepsilon_\beta$ , where  $|\nu\rangle$  denotes the vacuum. The energy levels,  $(\varepsilon_\alpha, \varepsilon_\beta)$ , depend on the optical lattice potential. The strength of the atom–atom attractive potential,  $U_{\alpha\beta} > 0$ , can be varied through Feshbach resonance, allowing a control on the spatial extension  $a_B$  of a bound pair. For large  $U_{\alpha\beta}$  attraction, the lowest-energy subspace reduces to the  $N_s$  states,  $a_{\mathbf{R}_i}^\dagger b_{\mathbf{R}_i}^\dagger |\nu\rangle$ , with energy  $\varepsilon_\alpha + \varepsilon_\beta - U_{\alpha\beta}$ , each lattice site  $\mathbf{R}_i$  possibly hosting one bound pair, with creation operator  $\mathcal{B}_{\mathbf{R}_i}^\dagger = a_{\mathbf{R}_i}^\dagger b_{\mathbf{R}_i}^\dagger$ . These pairs are structureless when the lattice period, which is equal to half the optical laser wavelength  $\lambda$ , is large compared to the relative-motion extension  $a_B$  of a bound pair. This inequality,  $\lambda \gg a_B$ , can be easily fulfilled in optical lattice experiments, as in the case of  ${}^{40}\text{K}_2$  dimers [21].

The third term of equation (2) describes inter-site interaction. Its  $V_{\mathbf{R}_j - \mathbf{R}_i}$  strength can be changed by changing the laser intensity which is proportional to the lattice potential depth  $V_0$ . Due to this inter-site interaction, bound fermionic-atom pairs delocalize over the whole lattice. To justify our consideration of one bound pair per lattice site at most, the inter-site interaction has to be small compared to the on-site repulsion. This condition can be achieved when the lattice potential depth  $V_0$  is large compared to the recoil energy  $E_R = \hbar^2 k^2 / 2m_a$ , with  $k = 2\pi/\lambda$  and  $m_a$  the atom mass, as previously shown in the case of elementary bosons [27].

In the following, we shall refer to fermionic atoms simply as fermions, and refer to delocalized bound pairs as dimers. The dimer creation operators

$$\mathcal{B}_{\mathbf{Q}}^\dagger = \sum_{i=1}^{N_s} \mathcal{B}_{\mathbf{R}_i}^\dagger \langle \mathbf{R}_i | \mathbf{Q} \rangle \quad (4)$$

with a distribution which is flat,  $\langle \mathbf{R}_i | \mathbf{Q} \rangle = e^{i\mathbf{Q} \cdot \mathbf{R}_i} / \sqrt{N_s}$ , in the large lattice limit. As the dimer spatial extension  $a_B$  is essentially zero, it cannot enter the dimensionless parameter that controls many-body effects. Instead, this dimensionless parameter for  $N$  dimers in an optical lattice having  $N_s$  sites reads, like for Frenkel excitons

[10, 28, 29], as

$$\eta = \frac{N}{N_s}. \quad (5)$$

To produce two condensates made from such dimers, we propose to first prepare a single condensate in an optical lattice having a lattice spacing equal to a few hundreds of nanometers, depending on the laser wavelength. Then, we ramp up a potential barrier in the middle of the lattice using an external field in order to split this condensate into two spatially separated condensates, which are ultimately let to interfere, and we measure the correlation function. The potential barrier in the middle of the experimental setup can be produced by imposing another optical lattice with a much larger lattice spacing. Lattice spacing of the order of a hundred micrometers has been experimentally produced [30] by using two near-infrared laser beams with  $\lambda$  wavelength intersecting at a small angle  $\theta$ , the lattice spacing being equal to  $\lambda/2 \sin(\theta/2)$ . For nearly collimated beams, that is, for  $\theta \sim 0$ , the lattice spacing can become very large, of the order of hundreds of micrometers.

We predict that, compared to elementary bosons, the interference pattern has additional high frequency modes that come from fermion exchanges between condensates. These interferences constitute a striking signature of the dimer composite nature. As these additional modes are many-body in essence, a sizeable  $\eta$  is required to observe them. This is why previous experiments performed with two rather dilute condensates made of small bosonic atoms like rubidium [5] or sodium [6–8], with momenta  $\mathbf{Q}$  and  $\mathbf{Q}' = -\mathbf{Q}$ , have only seen interferences ruled by the momentum difference,  $\mathbf{Q} - \mathbf{Q}' = 2\mathbf{Q}$ . Such interferences can be obtained by taking the bosonic atoms as elementary bosons [31–33]. The higher frequency modes we predict come from fermion exchanges involving more than one dimer from each of the two  $\mathbf{Q}$  and  $\mathbf{Q}'$  condensates. They can produce momentum differences  $m(\mathbf{Q} - \mathbf{Q}')$  with  $m \geq 2$ : the  $m = 2$  mode appears when at least one fermion exchange in each condensate enters into play; so, its amplitude is  $\eta^2$  smaller than the  $m = 1$  mode. Fermion exchanges also affect the  $m = (0,1)$  modes present for elementary bosons, but only through  $\eta$  corrections in their prefactors.

## 2. Physics of the problem

In this section, we use simple physical arguments to understand the form of the interference pattern resulting from the collision of two dimer condensates. An appropriate way to derive this interference pattern is through the dimer–dimer spatial correlation function

$$\mathcal{G}_{N,N'}^{(2)}(\mathbf{R}_1, \mathbf{R}_2) = \frac{\langle \psi_{N,N'} | \mathcal{B}_{\mathbf{R}_1}^\dagger \mathcal{B}_{\mathbf{R}_2}^\dagger \mathcal{B}_{\mathbf{R}_2} \mathcal{B}_{\mathbf{R}_1} | \psi_{N,N'} \rangle}{\langle \psi_{N,N'} | \psi_{N,N'} \rangle}, \quad (6)$$

the two-condensate state made of  $N$  dimers of momentum  $\mathbf{Q}$  and  $N'$  dimers of momentum  $\mathbf{Q}'$  reading as

$$|\psi_{N,N'}\rangle = (\mathcal{B}_{\mathbf{Q}}^\dagger)^N (\mathcal{B}_{\mathbf{Q}'}^\dagger)^{N'} |v\rangle. \quad (7)$$

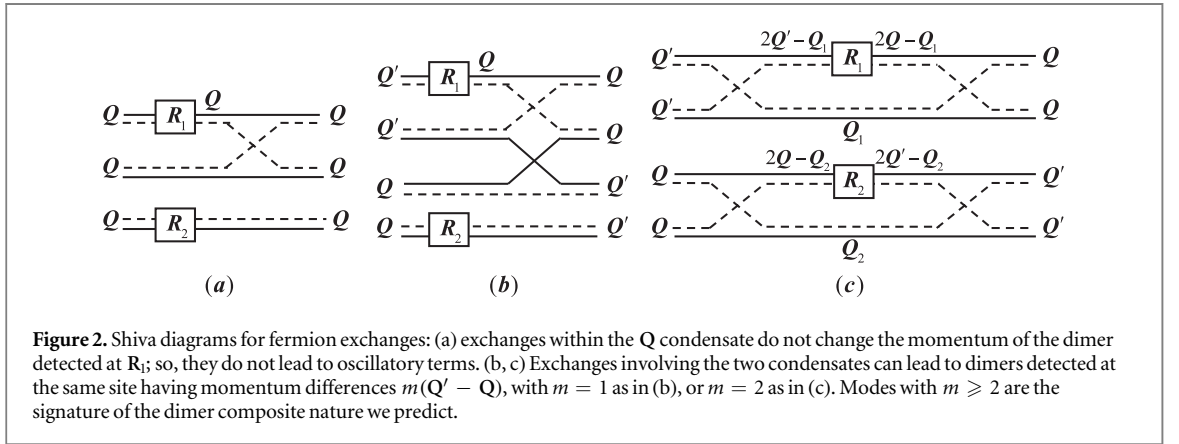
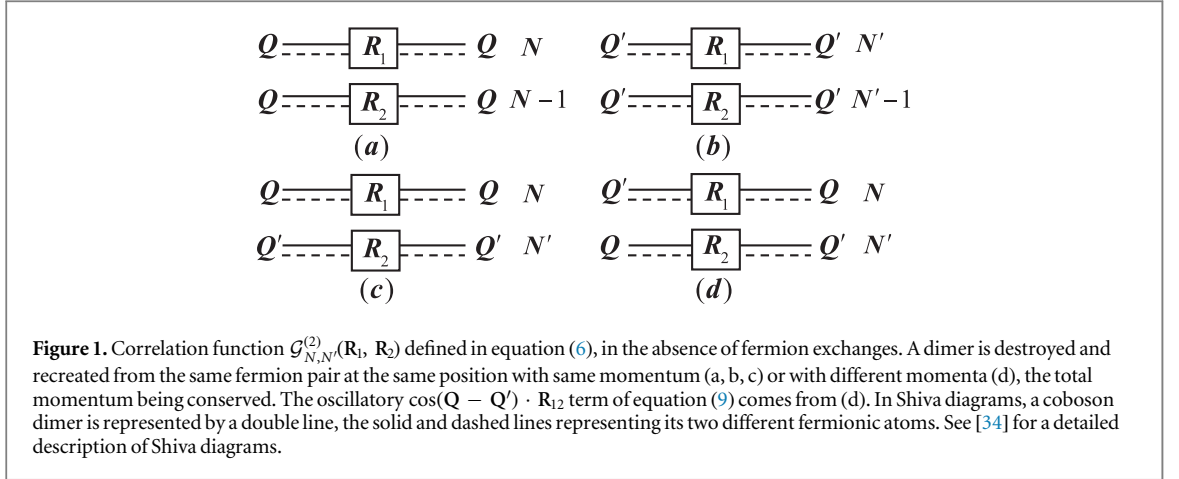
Taking  $N' \neq N$  and  $\mathbf{Q}' \neq -\mathbf{Q}$  makes the physics easier to grasp.

Let us first deal without fermion exchanges, which corresponds to taking the dimers as elementary bosons. The operator  $\mathcal{B}_{\mathbf{R}_1}$  destroys one of the  $(N + N')$  dimers of the  $|\psi_{N,N'}\rangle$  state at the  $\mathbf{R}_1$  site. Let this destroyed dimer have a momentum  $\mathbf{Q}$ . If  $\mathcal{B}_{\mathbf{R}_2}$  also destroys a  $\mathbf{Q}$  dimer, these two detections generate a  $N(N - 1)$  factor from the number of ways to choose the two  $\mathbf{Q}$  dimers among  $N$ . Due to momentum conservation in the  $\mathcal{G}_{N,N'}^{(2)}(\mathbf{R}_1, \mathbf{R}_2)$  numerator,  $\mathcal{B}_{\mathbf{R}_1}^\dagger$  and  $\mathcal{B}_{\mathbf{R}_2}^\dagger$  must recreate two  $\mathbf{Q}$  dimers. The associated phase factors  $e^{i\mathbf{Q}\cdot\mathbf{R}_1}$  and  $e^{-i\mathbf{Q}\cdot\mathbf{R}_2}$  to detect a  $\mathbf{Q}$  dimer at  $\mathbf{R}_1$  then cancel; same at  $\mathbf{R}_2$ . So, the term in  $N(N - 1)$  does not bring any oscillatory contribution to  $\mathcal{G}_{N,N'}^{(2)}(\mathbf{R}_1, \mathbf{R}_2)$  (figure 1(a)). In the same way, no oscillation occurs if two  $\mathbf{Q}'$  dimers (figure 1(b)) or one  $\mathbf{Q}$  dimer and one  $\mathbf{Q}'$  dimer (figure 1(c)) are destroyed and recreated at the same site, their counting factor being, respectively,  $N'(N' - 1)$  and  $2NN'$ , the 2 coming from detecting the  $\mathbf{Q}$  dimer at  $\mathbf{R}_1$  or at  $\mathbf{R}_2$ . So, we end up with a contribution to  $\mathcal{G}_{N,N'}^{(2)}(\mathbf{R}_1, \mathbf{R}_2)$  equal to

$$N(N - 1) + N'(N' - 1) + 2NN'. \quad (8)$$

For an oscillatory term to appear in the correlation function, the dimers destroyed and recreated at the  $\mathbf{R}_i$  site must have different momenta (figure 1(d)). The term in which  $\mathcal{B}_{\mathbf{R}_1}$  destroys a  $\mathbf{Q}$  dimer and  $\mathcal{B}_{\mathbf{R}_1}^\dagger$  recreates a  $\mathbf{Q}'$  dimer brings a factor  $e^{i\mathbf{R}_1\cdot(\mathbf{Q}-\mathbf{Q}' )}$  with a  $NN'$  prefactor coming from the number of ways to choose these  $(\mathbf{Q}, \mathbf{Q}')$  dimers. To conserve momentum,  $\mathcal{B}_{\mathbf{R}_2}$  then has to destroy a  $\mathbf{Q}'$  dimer and  $\mathcal{B}_{\mathbf{R}_2}^\dagger$  to create a  $\mathbf{Q}$  dimer, which brings a factor  $e^{i\mathbf{R}_2\cdot(\mathbf{Q}'-\mathbf{Q})}$ . So, we end up with a contribution to  $\mathcal{G}_{N,N'}^{(2)}(\mathbf{R}_1, \mathbf{R}_2)$  equal to

$$NN' \left( e^{i(\mathbf{R}_1-\mathbf{R}_2)\cdot(\mathbf{Q}-\mathbf{Q}')} + e^{i(\mathbf{R}_1-\mathbf{R}_2)\cdot(\mathbf{Q}'-\mathbf{Q})} \right) = 2NN' \cos(\mathbf{Q} - \mathbf{Q}') \cdot \mathbf{R}_{12}, \quad (9)$$



where  $\mathbf{R}_{12} = \mathbf{R}_1 - \mathbf{R}_2$ . This leads to the  $m = 1$  mode previously found for elementary bosons. Indeed, when  $N = N'$  and  $\mathbf{Q}' = -\mathbf{Q}$ , the spatial correlation function for elementary bosons corresponds to

$$\bar{\mathcal{G}}_{N,N}^{(2)}(\mathbf{R}_1, \mathbf{R}_2) = \frac{(2N)!}{N_s^2 (2N - 2)!} \left\{ 1 + \frac{N}{2N - 1} \cos 2\mathbf{Q} \cdot \mathbf{R}_{12} \right\}, \quad (10)$$

as first given in [31]. For completeness, we rederive in appendix A the  $n$ -particle correlation function for free elementary bosons using a different approach. The amplitudes of the  $m = (0, 1)$  terms both scale as  $N^2/N_s^2 \sim \eta^2$  and no other mode exists in the case of elementary bosons.

The dimer composite nature brings a far richer physics because  $\mathcal{B}_R$  can destroy any two fermions. These two fermions can simply be the ones of the  $\mathcal{B}_Q^\dagger$  or  $\mathcal{B}_{Q'}^\dagger$  pair in  $|\psi_{N,N'}\rangle$ . Or, since identical fermions are indistinguishable, they can also be any pair resulting from fermion exchanges in the  $|\psi_{N,N'}\rangle$  state. As exchanges conserve momentum, fermion exchange inside the Q condensate does not change the momentum of the dimer detected at  $\mathbf{R}_1$  site, as shown in the Shiva diagram of figure 2a. So, this does not bring any oscillatory contribution. However, as each fermion exchange brings a  $1/N_s$  factor, this term appears with a prefactor equal to

$$N(N - 1)(N - 2)/N_s \simeq \eta N(N - 1). \quad (11)$$

It thus is  $\eta$  times smaller than the leading  $N(N - 1)$  term obtained in the absence of fermion exchange, shown in figure 1(a).

By contrast, fermion exchanges between the Q and Q' condensates can lead to terms in which the detected dimers have a momentum difference equal to  $m(\mathbf{Q} - \mathbf{Q}')$ , with  $m = 1$  as in figure 2(b),  $m = 2$  as in figure 2(c), and  $m \geq 3$  for exchanges involving more dimers from each condensate. The term corresponding to the Shiva diagram of figure 2(b) produces the same  $\cos(\mathbf{Q} - \mathbf{Q}') \cdot \mathbf{R}_{12}$  oscillatory term as the one of equation (9), but its prefactor

$$N(N - 1)N'(N' - 1)/N_s^2 \simeq \eta\eta'NN' \quad (12)$$

is  $\eta\eta'$  times smaller due to the two exchanges it contains. More generally, the  $m = 1$  terms in which fermion exchanges enter bring density-dependent corrections to the amplitude of the interference terms already present for elementary bosons.

Momentum changes  $m(\mathbf{Q} - \mathbf{Q}')$  with  $m \geq 2$  are a definite signature of the condensate composite nature because they generate new oscillatory modes. The  $2(\mathbf{Q} - \mathbf{Q}')$  momentum change in figure 2(c) produces a  $\cos 2(\mathbf{Q} - \mathbf{Q}') \cdot \mathbf{R}_{12}$  contribution. This  $m = 2$  term has four exchanges, but two sums over  $\mathbf{Q}_1$  and  $\mathbf{Q}_2$  which cancel two  $N_s$  factors coming from exchanges; so, it also appears with a prefactor  $N(N-1)N'(N'-1)/N_s^2 \simeq \eta\eta'NN'$ . Note that in order to produce these higher modes, similar exchanges must occur in the  $\mathbf{Q}$  and the  $\mathbf{Q}'$  condensates; so,  $m$  cannot be larger than  $\text{Min}\{N, N'\}$ .

Last but not least, the fact that two identical fermions cannot be at the same site must hold sway over the possibility of seeing two dimers at the same site. Indeed,  $(a_{\mathbf{R}}^\dagger)^2 = 0$  imposes  $(\mathcal{B}_{\mathbf{R}}^\dagger)^2 = 0$ . So,  $\mathcal{G}_{N,N'}^{(2)}(\mathbf{R}_1, \mathbf{R}_2)$  must cancel for  $\mathbf{R}_1 = \mathbf{R}_2$ .

All this shows that fermion exchanges inside each condensate and between the two condensates change the interference pattern compared to that obtained with elementary bosons in three ways:

- (i) the amplitudes of the elementary-boson terms have many-body corrections reading in powers of densities,  $\eta$  and  $\eta'$ ;
- (ii) higher oscillatory modes in  $\cos m(\mathbf{Q} - \mathbf{Q}') \cdot \mathbf{R}_{12}$  with  $m = (2, 3, \dots)$  up to  $\text{Min}\{N, N'\}$  appear, with ever weaker amplitudes;
- (iii) a dip at the scale of the optical lattice constant exists for  $\mathbf{R}_1 = \mathbf{R}_2$ .

The spatial correlation function for fermionic-atom dimers thus has to read

$$\mathcal{G}_{N,N'}^{(2)}(\mathbf{R}_1, \mathbf{R}_2) = (1 - \delta_{\mathbf{R}_1, \mathbf{R}_2}) \sum_{m=0}^{\text{Min}\{N, N'\}} A_{N,N'}^{(m)} \cos\left(m(\mathbf{Q} - \mathbf{Q}') \cdot \mathbf{R}_{12}\right). \quad (13)$$

The amplitudes of the  $m = (0, 1)$  modes are equal to the elementary-boson values within density corrections coming from fermion exchanges, namely  $A_{N,N'}^{(0)} \simeq (\eta + \eta')^2(1 + \mathcal{O}(\eta, \eta'))$  and  $A_{N,N'}^{(1)} \simeq 2\eta\eta'(1 + \mathcal{O}(\eta\eta'))$ . The larger number of exchanges required for the  $m = 2$  mode appears in its amplitude which scales as  $A_{N,N'}^{(2)} \sim (\eta\eta')^2$  within density corrections. And so on for larger  $m$ .

### 3. Theoretical approach

For dimers characterized by a single quantum index  $\mathbf{Q}$ , as dimers in an optical lattice, it is possible to perform an *exact* calculation of the  $n$ -coboson spatial correlation function,  $\mathcal{G}_{N,N'}^{(n)}(\mathbf{R}_1, \dots, \mathbf{R}_n)$ , in spite of the tricky fermion exchanges that occur not only within each condensate, but also between the  $\mathbf{Q}$  and  $\mathbf{Q}'$  condensates—from which the most interesting physics arises. To do it, we have developed an original procedure in which  $|\psi_{N,N'}\rangle$  is written in terms of the generalized coherent states  $|\phi_{z,z'}\rangle = e^{z\mathcal{B}_{\mathbf{Q}}^\dagger + z'\mathcal{B}_{\mathbf{Q}'}^\dagger} |v\rangle$  where  $(z, z')$  are complex scalars, as explained in appendix B. Using it, we can obtain  $\mathcal{G}_{N,N'}^{(n)}(\mathbf{R}_1, \dots, \mathbf{R}_n)$  analytically for arbitrary  $n$ . As its expression is extremely complicated, even for  $n = 2$ , we shall here only discuss two limiting cases that best illustrate the involved physics, and refer the interested readers to appendix B for the general form.

### 4. Analytical results for limiting cases

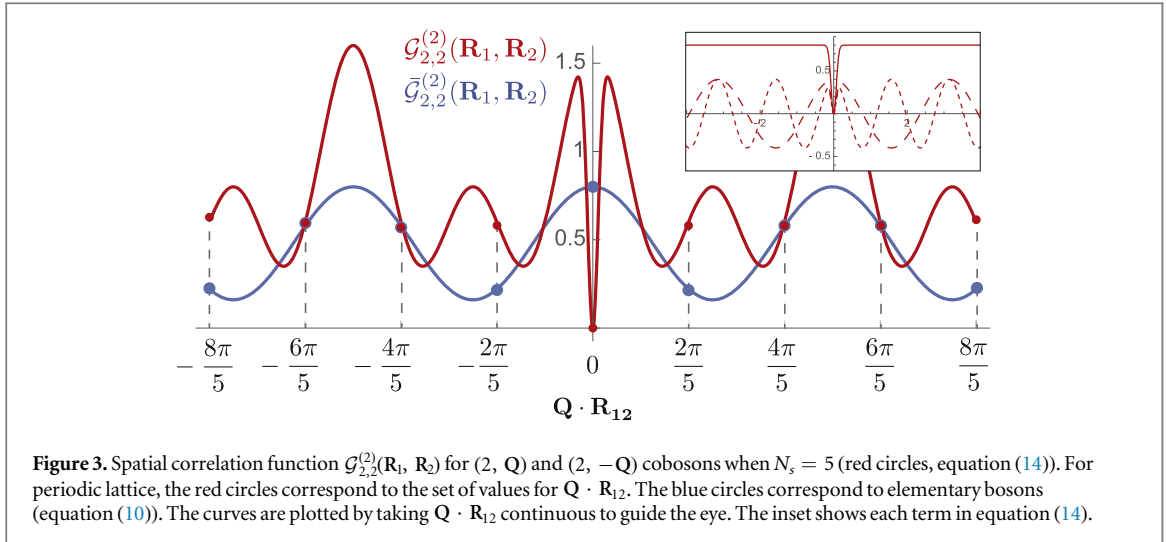
For  $n = 1$ , the function  $\mathcal{G}_{N,N'}^{(1)}(\mathbf{R}_1)$  stays equal to its elementary-boson value,  $(N + N')/N_s$ , which physically corresponds to the total dimer density of the two condensates at the scale of the lattice site number  $N_s$ . This result follows from the fact that (i)  $\mathcal{G}_{N,N'}^{(1)}(\mathbf{R}_1)$  does not depend on  $\mathbf{R}_1$ , and (ii) the mean value of the number operator  $\sum_{\mathbf{Q}} \mathcal{B}_{\mathbf{Q}}^\dagger \mathcal{B}_{\mathbf{Q}} = \sum_{\mathbf{R}} \mathcal{B}_{\mathbf{R}}^\dagger \mathcal{B}_{\mathbf{R}}$  in the  $|\psi_{N,N'}\rangle$  state is equal to the total dimer number,  $N + N'$ .

To grasp how fermion exchanges affect the interference pattern of two condensates, let us consider the simplest case in which the predicted  $m = 2$  oscillatory mode exists, that is  $N = N' = 2$ . The explicit expression of the spatial correlation function then reads (see equation (B.28))

$$\mathcal{G}_{2,2}^{(2)}(\mathbf{R}_1, \mathbf{R}_2) = \frac{(1 - \delta_{\mathbf{R}_1, \mathbf{R}_2})}{N_s^2} \left\{ 12(1 + x_0) + 8(1 + x_1) \cos(\mathbf{Q} - \mathbf{Q}') \cdot \mathbf{R}_{12} + x_2 \cos 2(\mathbf{Q} - \mathbf{Q}') \cdot \mathbf{R}_{12} \right\}. \quad (14)$$

The changes from the elementary-boson result given in equation (10), induced by exchanges, appear in the  $x_i$ 's, as illustrated in figure 3. They read  $x_0 = (5/3N_s - 15/N_s^2 + 36/N_s^3)/F_{2,2}$ ,  $x_1 = (-7/N_s^2 + 36/N_s^3)/F_{2,2}$ , and  $x_2 = (8/N_s^2)/F_{2,2}$ . The  $F_{2,2}$  factor, equal to  $1 - 10/N_s + 33/N_s^2 - 36/N_s^3$ , comes from the norm,  $N!N'!F_{N,N'}$ , of the  $|\psi_{N,N'}\rangle$  state given in equation (B.26). Fermion exchanges like the one of figure 2(a) give the  $1/N_s$  term of





$x_0$ ; the one of figure 2(b) gives the  $1/N_s^2$  term of  $x_1$ ; the one of figure 2(c) gives the  $x_2$  prefactor of the  $m = 2$  term. Figure 3 shows the resulting correlation function for  $N_s = 5$ , from which we clearly see the next-to-lowest oscillatory mode, and the singularity at  $\mathbf{R}_{12} = 0$ .

So far, we have considered bound fermion pair  $a_{\mathbf{R}_i}^\dagger b_{\mathbf{R}_i}^\dagger$  with no relative-motion extension. Pauli blocking then appears in the strongest way by forbidding two dimers to be at the same site through the  $(1 - \delta_{\mathbf{R}_i, \mathbf{R}_j})$  prefactor in equation (13). In reality, physical dimers are trapped in lattice potential wells with finite depth and width; so they have a finite spatial extension. This physically broadens the effect of Pauli blocking and transforms the singular dip of equation (13) into a smooth dip (see figure 3). However, such dimer granularity must not affect the interference pattern at larger scale. Interestingly, a similar dip feature has been found for elementary bosons with hardcore repulsion [35].

## 5. Conclusion

In this work, we address the commonly bypassed consequences of the particle composite nature in cold-atom physics, by considering the interference pattern of two condensates made of dimers. We predict the existence of additional high frequency modes, in contrast to a unique low-frequency mode existing when the particle composite nature is neglected. With the help of analytical calculations and Shiva diagrams that visualize composite boson many-body effects, we evidence that these high modes come from dimensionless fermion exchanges between condensates. Being many-body in essence, the amplitude of these high modes depends on density; therefore, their observation requires rather dense condensates, that is, sizeable many-body parameter  $\eta$ , as possibly obtained by using optical lattices. In addition, Pauli blocking between the particle fermionic components produces a dip in the interference pattern that constitutes another signature of the dimer granularity.

Just like the composite nature of semiconductor excitons has revealed a breadth of remarkable effects, we anticipate cold-atom systems to provide a novel, fully controllable playground to investigate further in depth the very unique many-body effects that result from dimensionless fermion exchanges, that is, exchange in the absence of fermion-fermion interaction. Recent optical lattices already reach densities high enough for these new many-body effects to be observable, including the signatures we here predict.

## Acknowledgments

SYS and MC acknowledge support from OBELIX from the French Agency for Research (ANR-15-CE30-0020). AC thanks Geza Giedke for insightful comments.

## Appendix A. Elementary bosons

Elementary boson operators obey the commutation relations  $[\bar{B}_{\mathbf{Q}}, \bar{B}_{\mathbf{Q}}^\dagger]_- = 0$  and  $[\bar{B}_{\mathbf{Q}}, \bar{B}_{\mathbf{Q}'}^\dagger]_- = \delta_{\mathbf{Q}, \mathbf{Q}'}$ ; so, by iteration,



$$\left[ \bar{B}_{Q'}, (\bar{B}_Q^\dagger)^N \right] = N \delta_{Q'Q} (\bar{B}_Q^\dagger)^{N-1}. \quad (\text{A.1})$$

This commutator immediately gives the normalization factor of the state  $|\bar{\psi}_{N,N'}\rangle = (\bar{B}_Q^\dagger)^N (\bar{B}_{Q'}^\dagger)^{N'} |\nu\rangle$  as  $\langle \bar{\psi}_{N,N'} | \bar{\psi}_{N,N'} \rangle = N!N'!$  where  $|\nu\rangle$  denotes the vacuum, and with a little more work, the value of

$$\bar{S}_{N,N'}^{(n)}(\{\mathbf{R}_i\}) = \langle \bar{\psi}_{N,N'} | \bar{B}_{\mathbf{R}_1}^\dagger \dots \bar{B}_{\mathbf{R}_n}^\dagger \bar{B}_{\mathbf{R}_n} \dots \bar{B}_{\mathbf{R}_1} | \bar{\psi}_{N,N'} \rangle \quad (\text{A.2})$$

with  $\bar{B}_{\mathbf{R}}^\dagger = \sum_{\mathbf{Q}} \bar{B}_{\mathbf{Q}}^\dagger \langle \mathbf{Q} | \mathbf{R} \rangle$ , that enters the  $n$ -particle spatial correlation function

$$\bar{G}_{N,N'}^{(n)}(\{\mathbf{R}_i\}) = \frac{\bar{S}_{N,N'}^{(n)}(\{\mathbf{R}_i\})}{\langle \bar{\psi}_{N,N'} | \bar{\psi}_{N,N'} \rangle}. \quad (\text{A.3})$$

The  $\mathbf{R}$ -space and  $\mathbf{Q}$ -space creation operators are linked through  $\langle \mathbf{Q} | \mathbf{R} \rangle = e^{-i\mathbf{Q}\cdot\mathbf{R}}/L^{D/2}$  for continuous  $\mathbf{R}$  in a finite volume  $L^D$ , with  $L^D$  replaced by  $N_s$  for a discrete lattice of  $N_s$  sites located at  $\{\mathbf{R}_i\}$ .

In this work, we propose an original procedure to evaluate the spatial correlation function (A.3). Although this procedure might appear as overcomplicated for elementary bosons, it allows handling more complex cobosons in an exact way. We introduce a generalized elementary-boson coherent state

$$|\bar{\phi}_{z,z'}\rangle = e^{z\bar{B}_Q^\dagger + z'\bar{B}_{Q'}^\dagger} |\nu\rangle, \quad (\text{A.4})$$

where  $(z, z')$  are complex scalars. The residue theorem gives the two-condensate state  $|\bar{\psi}_{N,N'}\rangle$  as

$$|\bar{\psi}_{N,N'}\rangle = N!N'! \oint \frac{dz}{2\pi i} \frac{1}{z^{N+N'+1}} \oint \frac{dz'}{2\pi i} \frac{1}{z'^{N'+1}} |\bar{\phi}_{z,zz'}\rangle. \quad (\text{A.5})$$

Turning from  $|\bar{\phi}_{z,z'}\rangle$  to  $|\bar{\phi}_{z,zz'}\rangle$  allows controlling the *total* number  $N + N'$  of bosons with momentum  $\mathbf{Q}$  and  $\mathbf{Q}'$  through  $z$ , and the number  $N'$  of  $\mathbf{Q}'$  bosons through  $z'$ . This will later on facilitate expansion in the boson density through  $z$  factors.

We note that the only part of  $|\bar{\phi}_{1,1}\rangle = e^{(\bar{B}_Q^\dagger + \bar{B}_{Q'}^\dagger)} |\nu\rangle$  that gives a non-zero contribution when projected over  $|\bar{\psi}_{N,N'}\rangle$  is the one that has the same particle number and momentum, i.e.  $|\bar{\psi}_{N,N'}\rangle$  itself. This remark helps seeing that

$$(N!N'!)^2 \oint \frac{dz}{2\pi i} \frac{1}{z^{N+N'+1}} \oint \frac{dz'}{2\pi i} \frac{1}{z'^{N'+1}} \langle \bar{\phi}_{1,1} | \bar{\phi}_{z,zz'} \rangle = \langle \bar{\psi}_{N,N'} | \bar{\psi}_{N,N'} \rangle. \quad (\text{A.6})$$

In the same way, equation (A.2) can be rewritten as

$$\begin{aligned} \bar{S}_{N,N'}^{(n)}(\{\mathbf{R}_i\}) &= (N!N'!)^2 \oint \frac{dz}{2\pi i} \frac{1}{z^{N+N'+1}} \oint \frac{dz'}{2\pi i} \frac{1}{z'^{N'+1}} \\ &\times \langle \bar{\phi}_{1,1} | \bar{B}_{\mathbf{R}_1}^\dagger \dots \bar{B}_{\mathbf{R}_n}^\dagger \bar{B}_{\mathbf{R}_n} \dots \bar{B}_{\mathbf{R}_1} | \bar{\phi}_{z,zz'} \rangle. \end{aligned} \quad (\text{A.7})$$

The trick now is to calculate the above scalar product by using commutators in real space instead of momentum space as in equation (A.1). We first note that  $|\bar{\phi}_{z,z'}\rangle$  is eigenstate of the  $\bar{B}_{\mathbf{R}}$  operator

$$\bar{B}_{\mathbf{R}} |\bar{\phi}_{z,z'}\rangle = f_{z,z'}(\mathbf{R}) |\bar{\phi}_{z,z'}\rangle, \quad (\text{A.8})$$

with the eigenvalue  $f_{z,z'}(\mathbf{R}) = z \langle \mathbf{R} | \mathbf{Q} \rangle + z' \langle \mathbf{R} | \mathbf{Q}' \rangle$ . So, we readily find

$$\frac{\langle \bar{\phi}_{1,1} | \bar{B}_{\mathbf{R}_1}^\dagger \dots \bar{B}_{\mathbf{R}_n}^\dagger \bar{B}_{\mathbf{R}_n} \dots \bar{B}_{\mathbf{R}_1} | \bar{\phi}_{z,z'} \rangle}{\langle \bar{\phi}_{1,1} | \bar{\phi}_{z,z'} \rangle} = \prod_{i=1}^n G_{z,z'}(\mathbf{R}_i) \equiv \frac{\Xi_{z,z'}^{(n)}(\{\mathbf{R}_i\})}{L^{nD}}, \quad (\text{A.9})$$

with  $G_{z,z'}(\mathbf{R}) = f_{1,1}^*(\mathbf{R}) f_{z,z'}(\mathbf{R})$ . The major advantage of this new procedure is to avoid enforcing momentum conservation at each commutation step; instead, the relevant momentum-conserving processes are selected at the very end only, directly through  $\Xi_{z,z'}^{(n)}(\{\mathbf{R}_i\})$ : indeed, for  $n = 1$ , equation (A.9) readily gives  $\Xi_{z,z'}^{(1)}(\mathbf{R}) = z + z' + z e^{i\mathbf{R}\cdot(\mathbf{Q}-\mathbf{Q}')} + z' e^{i\mathbf{R}\cdot(\mathbf{Q}'-\mathbf{Q})}$ , in which the term that conserves momentum is  $z + z'$ , so that  $\Xi_{z,z'}^{(1)}(\mathbf{R})$  must reduce to  $z + z'$ . In the same way,  $\Xi_{z,z'}^{(n)}(\{\mathbf{R}_i\})$  for  $n = 2$  is equal to  $(z + z')^2 + 2zz' \cos(\mathbf{Q} - \mathbf{Q}') \cdot \mathbf{R}_{12}$ ; for  $n = 3$  it is equal to  $(z + z')^3 + 2zz'(z + z')(\cos(\mathbf{Q} - \mathbf{Q}') \cdot \mathbf{R}_{12} + \cos(\mathbf{Q} - \mathbf{Q}') \cdot \mathbf{R}_{23} + \cos(\mathbf{Q} - \mathbf{Q}') \cdot \mathbf{R}_{31})$ , and so on... The above results used for the scalar product in equation (A.7) give, with the help of equation (A.6), the first  $n$ -particle correlation functions for free elementary bosons as

$$\bar{G}_{N,N'}^{(1)}(\mathbf{R}_1) = \frac{1}{L^D} (N + N'), \quad (\text{A.10})$$

$$\bar{G}_{N,N'}^{(2)}(\mathbf{R}_1, \mathbf{R}_2) = \frac{1}{L^{2D}} \left\{ N(N-1) + N'(N'-1) + 2NN' + 2NN' \cos(\mathbf{Q} - \mathbf{Q}') \cdot \mathbf{R}_{12} \right\}, \quad (\text{A.11})$$

$$\begin{aligned} \bar{\mathcal{G}}_{N,N'}^{(3)}(\mathbf{R}_1, \mathbf{R}_2, \mathbf{R}_3) = & \frac{1}{L^{3D}} \left\{ N(N-1)(N-2) + N'(N'-1)(N'-2) + 3N'N(N-1) \right. \\ & + 3NN'(N'-1) + (2N'N(N-1) + 2NN'(N'-1)) \left( \cos(\mathbf{Q} - \mathbf{Q}') \cdot \mathbf{R}_{12} \right. \\ & \left. \left. + \cos(\mathbf{Q} - \mathbf{Q}') \cdot \mathbf{R}_{23} + \cos(\mathbf{Q} - \mathbf{Q}') \cdot \mathbf{R}_{31} \right) \right\}, \end{aligned} \quad (\text{A.12})$$

with  $L^D$  replaced by  $N_s$  in the case of discrete  $\mathbf{R}_i$ 's.

The 1-particle function  $\bar{\mathcal{G}}_{N,N'}^{(1)}(\mathbf{R}_1)$  physically corresponds to the total density of the  $\mathbf{Q}$  and  $\mathbf{Q}'$  elementary bosons in the sample volume  $L^D$ , while the other results evidence that the collision of two elementary-boson condensates leads to wave-like interference patterns associated with the momentum difference  $(\mathbf{Q} - \mathbf{Q}')$ . This pattern can be observed by measuring the  $n$ -particle correlation function  $\bar{\mathcal{G}}_{N,N'}^{(n)}(\{\mathbf{R}_i\})$  for  $n \geq 2$ . The expression of this correlation function for  $N = N'$  and  $\mathbf{Q}' = -\mathbf{Q}$  has already been reported in [31].

It can be of interest to note that the quantity

$$\bar{P}_N^{(n)}(\{\mathbf{R}_i\}) = L^{nD} \frac{(2N-n)!}{(2N)!} \bar{\mathcal{G}}_{N,N}^{(n)}(\{\mathbf{R}_i\}), \quad (\text{A.13})$$

corresponds to the probability of detecting  $n$  bosons located at  $(\mathbf{R}_1, \dots, \mathbf{R}_n)$  in the  $|\bar{\psi}_{N,N}\rangle$  condensate, as suggested in [31]: Indeed,  $\bar{P}_N^{(1)}(\mathbf{R}_1) = 1$  while the  $\bar{P}_N^{(n)}$ 's are linked by

$$\int \frac{d\mathbf{R}_n}{L^D} \bar{P}_N^{(n)}(\mathbf{R}_1, \dots, \mathbf{R}_n) = \bar{P}_N^{(n-1)}(\mathbf{R}_1, \dots, \mathbf{R}_{n-1}), \quad (\text{A.14})$$

as physically required for probabilities. In the case of composite bosons, the correlation functions have additional terms induced by the fermion exchanges that prevent such identification.

## Appendix B. Composite bosons: fermionic-atom dimers

We now consider an optical lattice of  $N_s$  sites, each site possibly hosting a bound pair of different fermionic atoms, with creation operator  $\mathcal{B}_{\mathbf{R}_i}^\dagger = a_{\mathbf{R}_i}^\dagger b_{\mathbf{R}_i}^\dagger$ . Due to inter-site interaction, the resulting coboson dimer creation operators read  $\mathcal{B}_{\mathbf{Q}}^\dagger = \sum_{i=1}^{N_s} \mathcal{B}_{\mathbf{R}_i}^\dagger \langle \mathbf{R}_i | \mathbf{Q} \rangle$ , with  $\langle \mathbf{R}_i | \mathbf{Q} \rangle = e^{i\mathbf{Q} \cdot \mathbf{R}_i} / \sqrt{N_s}$ . They obey the commutation relations

$$\left[ \mathcal{B}_{\mathbf{Q}'}^\dagger, \mathcal{B}_{\mathbf{Q}}^\dagger \right]_- = \delta_{\mathbf{Q}'\mathbf{Q}} - \mathcal{D}_{\mathbf{Q}'\mathbf{Q}}, \quad (\text{B.1})$$

$$\mathcal{D}_{\mathbf{Q}'\mathbf{Q}} = \frac{1}{N_s} \sum_{j=1}^{N_s} e^{-i(\mathbf{Q}'-\mathbf{Q}) \cdot \mathbf{R}_j} (a_{\mathbf{R}_j}^\dagger a_{\mathbf{R}_j} + b_{\mathbf{R}_j}^\dagger b_{\mathbf{R}_j}). \quad (\text{B.2})$$

As usual [10], the deviation-from-boson operator  $\mathcal{D}_{\mathbf{Q}'\mathbf{Q}}$  generates the dimensionless Pauli scatterings  $\lambda(\frac{\mathbf{Q}_2 \mathbf{Q}_2}{\mathbf{Q}_1 \mathbf{Q}_1})$  responsible for fermion exchanges between cobosons. In the case of the single-index cobosons we here consider, they reduce to

$$\begin{aligned} \left[ \mathcal{D}_{\mathbf{Q}_1 \mathbf{Q}_2}, \mathcal{B}_{\mathbf{Q}_2}^\dagger \right]_- &= \sum_{\mathbf{Q}_2'} \mathcal{B}_{\mathbf{Q}_2'}^\dagger \left\{ \lambda \left( \frac{\mathbf{Q}_2 \mathbf{Q}_2}{\mathbf{Q}_1 \mathbf{Q}_1} \right) + (\mathbf{Q}_1 \leftrightarrow \mathbf{Q}_2) \right\} \\ &= \frac{2}{N_s} \mathcal{B}_{\mathbf{Q}_1 + \mathbf{Q}_2 - \mathbf{Q}_1'}^\dagger. \end{aligned} \quad (\text{B.3})$$

The correlation function for detecting  $n$  dimers for the state  $|\psi_{N,N'}\rangle = (\mathcal{B}_{\mathbf{Q}}^\dagger)^N (\mathcal{B}_{\mathbf{Q}'}^\dagger)^{N'} |v\rangle$  reads as  $\mathcal{G}_{N,N'}^{(n)}(\{\mathbf{R}_i\}) = \mathcal{S}_{N,N'}^{(n)}(\{\mathbf{R}_i\}) / \langle \psi_{N,N'} | \psi_{N,N'} \rangle$  with

$$\mathcal{S}_{N,N'}^{(n)}(\{\mathbf{R}_i\}) = \langle \psi_{N,N'} | \mathcal{B}_{\mathbf{R}_1}^\dagger \dots \mathcal{B}_{\mathbf{R}_n}^\dagger \mathcal{B}_{\mathbf{R}_n} \dots \mathcal{B}_{\mathbf{R}_1} | \psi_{N,N'} \rangle. \quad (\text{B.4})$$

Here also, we introduce the generalized composite-boson coherent state  $|\phi_{z,z'}\rangle = e^{z\mathcal{B}_{\mathbf{Q}}^\dagger + z'\mathcal{B}_{\mathbf{Q}'}^\dagger} |v\rangle$ . As for elementary bosons, we can rewrite equation (B.4) as

$$\begin{aligned} \mathcal{S}_{N,N'}^{(n)}(\{\mathbf{R}_i\}) &= (N!N')^2 \oint \frac{dz}{2\pi i} \frac{1}{z^{N+N'+1}} \oint \frac{dz'}{2\pi i} \frac{1}{z'^{N'+1}} \\ &\quad \times \langle \phi_{1,1} | \mathcal{B}_{\mathbf{R}_1}^\dagger \dots \mathcal{B}_{\mathbf{R}_n}^\dagger \mathcal{B}_{\mathbf{R}_n} \dots \mathcal{B}_{\mathbf{R}_1} | \phi_{z,zz'} \rangle. \end{aligned} \quad (\text{B.5})$$

The procedure is essentially the same as for elementary bosons, equations (A.5), (A.6), (A.7) staying valid for cobosons. Momentum conservation at each commutation is even more cumbersome due to additional fermion

exchanges, which are many-body in nature. This is why working with commutators in real space is really advantageous.

It will appear as convenient to first note that the deviation-from-boson operator  $\mathcal{D}_{\mathbf{RQ}} = \sum_{\mathbf{P}} \langle \mathbf{R} | \mathbf{P} \rangle \mathcal{D}_{\mathbf{PQ}}$  leads to

$$\left[ \mathcal{D}_{\mathbf{RQ}}, e^{z\mathcal{B}_{\mathbf{Q}'}} \right] = 2z \langle \mathbf{R} | \mathbf{Q} \rangle \langle \mathbf{R} | \mathbf{Q}' \rangle \mathcal{B}_{\mathbf{R}}^{\dagger} e^{z\mathcal{B}_{\mathbf{Q}'}}. \quad (\text{B.6})$$

In the same way

$$\left[ \mathcal{B}_{\mathbf{R}}, e^{z\mathcal{B}_{\mathbf{Q}+z'\mathcal{B}_{\mathbf{Q}'}}} \right] = e^{z\mathcal{B}_{\mathbf{Q}+z'\mathcal{B}_{\mathbf{Q}'}}} \left( \mathcal{F}_{z,z'}^+(\mathbf{R}) - z\mathcal{D}_{\mathbf{RQ}} - z'\mathcal{D}_{\mathbf{RQ}'} \right), \quad (\text{B.7})$$

with

$$\mathcal{F}_{z,z'}^+(\mathbf{R}) = f_{z,z'}(\mathbf{R}) \left\{ 1 - f_{z,z'}(\mathbf{R}) \mathcal{B}_{\mathbf{R}}^{\dagger} \right\} = f_{z,z'}(\mathbf{R}) e^{-f_{z,z'}(\mathbf{R}) \mathcal{B}_{\mathbf{R}}^{\dagger}}, \quad (\text{B.8})$$

since  $(\mathcal{B}_{\mathbf{R}}^{\dagger})^2 = 0$ .

The above two commutators are obtained from iteration of the coboson commutation relations in momentum space, equations (B.1), (B.3), namely

$$\left[ \mathcal{B}_{\mathbf{Q}}, (\mathcal{B}_{\mathbf{Q}}^{\dagger})^N \right] = N (\mathcal{B}_{\mathbf{Q}}^{\dagger})^{N-1} (\delta_{\mathbf{Q}'\mathbf{Q}} - \mathcal{D}_{\mathbf{Q}'\mathbf{Q}}) - \frac{N(N-1)}{N_s} (\mathcal{B}_{\mathbf{Q}}^{\dagger})^{N-2} \mathcal{B}_{2\mathbf{Q}-\mathbf{Q}'}, \quad (\text{B.9})$$

$$\left[ \mathcal{D}_{\mathbf{Q}'\mathbf{Q}}, (\mathcal{B}_{\mathbf{Q}}^{\dagger})^N \right] = 2 \frac{N}{N_s} (\mathcal{B}_{\mathbf{Q}}^{\dagger})^{N-1} \mathcal{B}_{\mathbf{Q}+\mathbf{Q}_1-\mathbf{Q}'}. \quad (\text{B.10})$$

equation (B.7) then gives

$$\mathcal{B}_{\mathbf{R}} |\phi_{z,z'}\rangle = \mathcal{F}_{z,z'}^+(\mathbf{R}) |\phi_{z,z'}\rangle. \quad (\text{B.11})$$

The curly bracket in equation (B.8), absent for elementary bosons (see equation (A.8)), results from fermion exchanges occurring within the  $|\phi_{z,z'}\rangle$  state. It makes  $|\phi_{z,z'}\rangle$  not an eigenstate of the fermion pair operator  $\mathcal{B}_{\mathbf{R}}$ . In the same way, we find

$$\mathcal{B}_{\mathbf{R}_2} \mathcal{B}_{\mathbf{R}_1} |\phi_{z,z'}\rangle = \{1 - \delta_{\mathbf{R}_2\mathbf{R}_1}\} \mathcal{F}_{z,z'}^+(\mathbf{R}_2) \mathcal{F}_{z,z'}^+(\mathbf{R}_1) |\phi_{z,z'}\rangle, \quad (\text{B.12})$$

the curly bracket coming from Pauli blocking as  $\mathcal{B}_{\mathbf{R}_2} \mathcal{B}_{\mathbf{R}_1} = 0$  when  $\mathbf{R}_2 = \mathbf{R}_1$ ; and so on...

The major advantage of using commutators in real space is that  $(\mathcal{B}_{\mathbf{R}_i}^{\dagger})^n$  readily gives zero for  $n \geq 2$  whenever it appears. Equations (B.8), (B.11) then give

$$\langle \phi_{1,1} | \mathcal{B}_{\mathbf{R}}^{\dagger} \mathcal{B}_{\mathbf{R}} |\phi_{z,z'}\rangle = f_{z,z'}(\mathbf{R}) \langle \phi_{1,1} | \mathcal{B}_{\mathbf{R}}^{\dagger} |\phi_{z,z'}\rangle, \quad (\text{B.13})$$

while for  $\mathbf{R}_1 \neq \mathbf{R}_2$ , equation (B.12) gives

$$\langle \phi_{1,1} | \mathcal{B}_{\mathbf{R}_1}^{\dagger} \mathcal{B}_{\mathbf{R}_2}^{\dagger} \mathcal{B}_{\mathbf{R}_2} \mathcal{B}_{\mathbf{R}_1} |\phi_{z,z'}\rangle = f_{z,z'}(\mathbf{R}_1) f_{z,z'}(\mathbf{R}_2) \langle \phi_{1,1} | \mathcal{B}_{\mathbf{R}_1}^{\dagger} \mathcal{B}_{\mathbf{R}_2}^{\dagger} |\phi_{z,z'}\rangle. \quad (\text{B.14})$$

More generally,  $\langle \phi_{1,1} | \mathcal{B}_{\mathbf{R}_1}^{\dagger} \dots \mathcal{B}_{\mathbf{R}_n}^{\dagger} \mathcal{B}_{\mathbf{R}_n} \dots \mathcal{B}_{\mathbf{R}_1} |\phi_{z,z'}\rangle$  reduces for different  $\mathbf{R}_i$ 's to

$$\left( \prod_{i=1}^n f_{z,z'}(\mathbf{R}_i) \right) \langle \phi_{1,1} | \mathcal{B}_{\mathbf{R}_1}^{\dagger} \dots \mathcal{B}_{\mathbf{R}_n}^{\dagger} |\phi_{z,z'}\rangle. \quad (\text{B.15})$$

If we now use equation (B.11) for  $\langle \phi_{1,1} | \mathcal{B}_{\mathbf{R}}^{\dagger}$ , we end with

$$\frac{\langle \phi_{1,1} | \mathcal{B}_{\mathbf{R}}^{\dagger} \mathcal{B}_{\mathbf{R}} |\phi_{z,z'}\rangle}{\langle \phi_{1,1} | \phi_{z,z'}\rangle} = \frac{G_{z,z'}(\mathbf{R})}{1 + G_{z,z'}(\mathbf{R})}, \quad (\text{B.16})$$

and more generally

$$\frac{\langle \phi_{1,1} | \mathcal{B}_{\mathbf{R}_1}^{\dagger} \dots \mathcal{B}_{\mathbf{R}_n}^{\dagger} \mathcal{B}_{\mathbf{R}_n} \dots \mathcal{B}_{\mathbf{R}_1} |\phi_{z,z'}\rangle}{\langle \phi_{1,1} | \phi_{z,z'}\rangle} = \prod_{i=1}^n \frac{G_{z,z'}(\mathbf{R}_i)}{1 + G_{z,z'}(\mathbf{R}_i)}. \quad (\text{B.17})$$

This result can also be obtained from the definition of the state  $|\phi_{z,z'}\rangle$  and the relation  $\mathcal{B}_{\mathbf{Q}}^{\dagger} = \sum_{\mathbf{R}} \mathcal{B}_{\mathbf{R}}^{\dagger} \langle \mathbf{R} | \mathbf{Q} \rangle$ , so that

$$\begin{aligned}
|\phi_{z,z'}\rangle &= e^{\sum_{\mathbf{R}}(z\langle\mathbf{R}|Q\rangle+z'\langle\mathbf{R}|Q'\rangle)\mathcal{B}_{\mathbf{R}}^{\dagger}}|v\rangle \\
&= \prod_{\mathbf{R}} \left(1 + f_{z,z'}(\mathbf{R})\mathcal{B}_{\mathbf{R}}^{\dagger}\right)|v\rangle.
\end{aligned} \tag{B.18}$$

Comparing the result for coboson dimers (B.17) with that for elementary bosons (A.9), we can trace the denominator in the RHS of equation (B.17) back to the curly bracket of  $\mathcal{F}_{z,z'}^+(\mathbf{R})$  given in equation (B.8).

Let us now focus on the correlation functions for one and two dimers. Extension to multiple dimers is straightforward. As for elementary bosons, the relevant momentum-conserving processes are selected from

$$\Xi_{z,zz'}^{(n)}(\{\mathbf{R}_i\}) = \prod_{i=1}^n \frac{G_{z,zz'}(\mathbf{R}_i)}{1 + G_{z,zz'}(\mathbf{R}_i)}. \tag{B.19}$$

We first expand in  $z$ , which is easy to do by noting that  $f_{z,zz'}(\mathbf{R}) = zf_{1,z'}(\mathbf{R})$ . For  $n = 1$ , this gives

$$\sum_{p=1}^{\infty} (-1)^{p-1} \left(\frac{z}{N_s}\right)^p \left(e^{-i\mathbf{R}\cdot\mathbf{Q}} + e^{-i\mathbf{R}\cdot\mathbf{Q}'}\right)^p \left(e^{i\mathbf{R}\cdot\mathbf{Q}} + z'e^{i\mathbf{R}\cdot\mathbf{Q}'}\right)^p. \tag{B.20}$$

Selecting momentum-conserving processes yields

$$\Xi_{z,zz'}^{(1)}(\mathbf{R}) = \sum_{p=1}^{\infty} (-1)^{p-1} \left(\frac{z}{N_s}\right)^p \sum_{m=0}^p (C_m^p)^2 (z')^m, \tag{B.21}$$

where  $C_m^p$  denotes the binomial coefficient  $\binom{p}{m}$ . Similarly, for  $n = 2$ , we find

$$\begin{aligned}
\Xi_{z,zz'}^{(2)}(\mathbf{R}_1, \mathbf{R}_2) &= \sum_{p=1}^{\infty} \sum_{p'=1}^{\infty} \left(\frac{-z}{N_s}\right)^{p+p'} \sum_{m_1=0}^p \sum_{m_1'=0}^{p'} e^{(m_1'-m_1)i\mathbf{R}_2\cdot(\mathbf{Q}-\mathbf{Q}')} C_{m_1}^p C_{m_1'}^{p'} \\
&\quad \times \sum_{m_2=0}^{p'} (z')^{m_1+m_2} C_{m_2}^{p'} C_{m_1+m_2-m_1'}^{p'}.
\end{aligned} \tag{B.22}$$

To go further and obtain the spatial correlation function, we need the normalization factor  $\langle\psi_{N,N'}|\psi_{N,N'}\rangle$ . This quantity is quite tricky to derive from a naive expansion, because fermion exchange not only occurs between dimers carrying same momentum but also between dimers carrying different momenta. The same procedure, that is, equation (A.6) rewritten for dimers, gives

$$\begin{aligned}
F_{N,N'} &= \frac{\langle\psi_{N,N'}|\psi_{N,N'}\rangle}{N!N'!} \\
&= N!N'! \oint \frac{dz}{2\pi i} \frac{1}{z^{N+N'+1}} \oint \frac{dz'}{2\pi i} \frac{1}{z'^{N'+1}} \langle\phi_{1,1}|\phi_{z,zz'}\rangle,
\end{aligned} \tag{B.23}$$

which also reads, through an integration by part over  $z$ , as

$$F_{N,N'} = \frac{N!N'!}{N+N'} \oint \frac{dz}{2\pi i} \frac{1}{z^{N+N'}} \oint \frac{dz'}{2\pi i} \frac{1}{z'^{N'+1}} \langle\phi_{1,1}|\mathcal{B}_{\mathbf{Q}}^{\dagger} + z'\mathcal{B}_{\mathbf{Q}'}^{\dagger}|\phi_{z,zz'}\rangle. \tag{B.24}$$

This quantity is best calculated from commutators in real space through  $\mathcal{B}_{\mathbf{Q}}^{\dagger} = \sum_{\mathbf{R}}\langle\mathbf{R}|Q\rangle\mathcal{B}_{\mathbf{R}}^{\dagger}$ . We then find

$$\frac{\langle\phi_{1,1}|\mathcal{B}_{\mathbf{Q}}^{\dagger} + z'\mathcal{B}_{\mathbf{Q}'}^{\dagger}|\phi_{z,zz'}\rangle}{\langle\phi_{1,1}|\phi_{z,zz'}\rangle} = \sum_{\mathbf{R}} \frac{G_{1,z'}(\mathbf{R})}{1 + G_{z,zz'}(\mathbf{R})}, \tag{B.25}$$

as obtained by using equation (B.11). The above sum over  $\mathbf{R}$  has the effect of selecting momentum-conserving processes, as obtained through an  $z$  expansion similar to the one performed in equation (B.20). Equation (B.24) then leads to

$$F_{N,N'} = \frac{1}{N+N'} \sum_{p=1}^{N+N'} p! \left(\frac{-1}{N_s}\right)^{p-1} \sum_{m=\max\{p-N,0\}}^{\min\{p,N'\}} C_{p-m}^N C_m^{N'} C_m^p F_{N+m-p,N'-m}. \tag{B.26}$$

This equation provides an efficient iteration to obtain high  $F_{N,N'}$  terms, starting from  $F_{0,0} = 1$ . The first ones read

$$F_{1,1} = 1 - \frac{2}{N_s}, \tag{B.27a}$$

$$F_{0,2} = F_{2,0} = 1 - \frac{1}{N_s}, \tag{B.27b}$$

$$F_{1,2} = F_{2,1} = 1 - \frac{5}{N_s} + \frac{6}{N_s^2}, \tag{B.27c}$$

$$F_{2,2} = 1 - \frac{10}{N_s} + \frac{33}{N_s^2} - \frac{36}{N_s^3}. \quad (\text{B.27d})$$

The 1-dimer function follows from equation (B.21) divided by the norm of the  $|\psi_{N,N'}\rangle$  state, as obtained from equation (B.26). We find that it simply reduces to the dimer density, namely  $\mathcal{G}_{N,N'}^{(1)}(\mathbf{R}) = (N + N')/N_s$ , as obtained for elementary bosons. The physical reason for not having any correction is that it fundamentally deals with detecting a single dimer.

The 2-dimer correlation function is modified by terms stemming from fermion exchanges. For  $n = 2$ , the result already is quite complicated

$$\begin{aligned} \mathcal{G}_{N,N'}^{(2)}(\mathbf{R}_1, \mathbf{R}_2) &= \sum_{p=1}^{N+N'-1} \sum_{p'=1}^{N+N'-p} \frac{(-1)^{p+p'}}{N_s^{p+p'}} \sum_{m_1=0}^p \sum_{m'_1=0}^{p'} C_{m_1}^p C_{m'_1}^{p'} e^{(m'_1-m_1)i\mathbf{R}_{12}\cdot(\mathbf{Q}-\mathbf{Q}')} \\ &\times \sum_{m_2=\max\{0, m'_1-m_1\}}^{\min\{p', N'-m_1\}} C_{m_2}^{p'} C_{m_1+m_2-m'_1}^{p'} (p+p'-m_1-m_2)! \\ &\times C_{p+p'-m_1-m_2}^N (m_1+m_2)! C_{m_1+m_2}^{N'} \frac{F_{N-p-p'+m_1+m_2, N'-m_1-m_2}}{F_{N,N'}}. \end{aligned} \quad (\text{B.28})$$

When  $N = N' = 1$ , it reduces to

$$\mathcal{G}_{1,1}^{(2)}(\mathbf{R}_1, \mathbf{R}_2) = \frac{2}{N_s^2 F_{1,1}} \{1 + \cos(\mathbf{Q} - \mathbf{Q}') \cdot \mathbf{R}_{12}\}. \quad (\text{B.29})$$

From the general form (B.28), we see that interferences in  $\cos|m_1 - m'_1|(\mathbf{Q} - \mathbf{Q}') \cdot \mathbf{R}_{12}$  with  $|m_1 - m'_1| \neq 1$  do exist for  $\{N, N'\} \geq \{2, 2\}$ . The explicit result for  $N = N' = 2$  is given in equation (14).

## ORCID iDs

Shiue-Yuan Shiau  <https://orcid.org/0000-0002-6355-8584>

Aurélia Chenu  <https://orcid.org/0000-0002-4461-8289>

## References

- [1] Anderson M H, Ensher J R, Mathews M R, Wieman C E and Cornell E A 1995 *Science* **269** 198
- [2] Davis K B, Mewes M-O, Andrews M R, van Druten N J, Durfee D S, Kurn D M and Ketterle W 1995 *Phys. Rev. Lett.* **75** 3969
- [3] Bradley C C, Sackett C A, Tollett J J and Hulet R G 1995 *Phys. Rev. Lett.* **75** 1687
- [4] Zwierlein M W, Abo-Shaeer J R, Schirotzek A, Schunck C H and Ketterle W 2005 *Nature* **435** 1047–51
- [5] Wang Y-J, Anderson D Z, Bright V M, Cornell E A, Diot Q, Kishimoto T, Prentiss M, Saravanan R A, Segal S R and Wu S 2005 *Phys. Rev. Lett.* **94** 090405
- [6] Andrews M R, Townsend C G, Miesner H-J, Durfee D S, Kurn D M and Ketterle W 1997 *Science* **275** 637
- [7] Vogels J M, Chin J K and Ketterle W 2003 *Phys. Rev. Lett.* **90** 030403
- [8] Shin Y, Sanner C, Jo G-B, Pasquini T A, Saba M, Ketterle W, Pritchard D E, Vengalattore M and Prentiss M 2005 *Phys. Rev. A* **72** 021604(R)
- [9] Combescot M, Betbeder-Matibet O and Dubin F 2008 *Phys. Rep.* **463** 215
- [10] Combescot M and Shiau S-Y 2015 *Excitons and Cooper Pairs: Two Composite Bosons in Many-Body Physics* (Oxford: Oxford University Press)
- [11] Keldysh L V and Kozlov A N 1968 *Sov. Phys. JETP* **27** 521
- [12] Petrov D S, Salomon C and Shlyapnikov G V 2004 *Phys. Rev. Lett.* **93** 090404  
Petrov D S, Salomon C and Shlyapnikov G V 2005 *Phys. Rev. A* **71** 012708  
Alzetto F, Combescot R and Leyronas X 2013 *Phys. Rev. A* **87** 022704  
Shiau S-Y, Combescot M and Chang Y-C 2016 *Phys. Rev. A* **94** 052706
- [13] Bourdel T, Khaykovich L, Cubizolles J, Zhang J, Chevy F, Teichmann M, Tarruell L, Kockelmans S J J M F and Salomon C 2004 *Phys. Rev. Lett.* **93** 050401
- [14] Mysyrowicz A, Hulin D, Antonetti A, Migus A, Masselink W T and Morkoç H 1986 *Phys. Rev. Lett.* **56** 2748
- [15] Hulin D and Joffe M 1990 *Phys. Rev. Lett.* **65** 3425
- [16] Combescot M 1992 *Phys. Rep.* **221** 167
- [17] Alloing M, Beian M, Lewenstein M, Fuster D, Gonzalez Y, Gonzalez L, Combescot R, Combescot M and Dubin F 2014 *Europhys. Lett.* **107** 10012
- [18] Anankine R, Beian M, Dang S, Alloing M, Cambril E, Merghem K, Carbonell C G, Lemaître A and Dubin F 2017 *Phys. Rev. Lett.* **118** 127402
- [19] Combescot M, Betbeder-Matibet O and Combescot R 2007 *Phys. Rev. Lett.* **99** 176403
- [20] Tichy M C, Bouvrie P A and Mølmer K 2012 *Phys. Rev. Lett.* **109** 260403
- [21] Stöferle T, Moritz H, Günter K, Köhl M and Esslinger T 2006 *Phys. Rev. Lett.* **96** 030401
- [22] Volz T, Syassen N, Bauer D M, Hansis E, Dürr S and Rempe G 2006 *Nat. Phys.* **2** 692
- [23] Danzl J G, Mark M J, Haller E, Gustavsson M, Hart R, Aldegunde J, Hutson J M and Nägerl H-C 2010 *Nat. Phys.* **6** 265
- [24] Reichsöllner L, Schindewolf A, Takekoshi T, Grimm R and Nägerl H-C 2017 *Phys. Rev. Lett.* **118** 073201
- [25] Moses S A, Covey J P, Miecnikowski M T, Yan B, Gadway B, Ye J and Jin D S 2015 *Science* **350** 659
- [26] Moses S A, Covey J P, Miecnikowski M T, Jin D S and Ye J 2017 *Nat. Phys.* **13** 13

- [27] Jaksch D, Bruder C, Cirac J I, Gardiner C W and Zoller P 1998 *Phys. Rev. Lett.* **81** 3108
- [28] Combescot M and Pogosov W 2008 *Phys. Rev. B* **77** 085206
- [29] Agranovich V M 2008 *Excitations in Organic Solids* (Oxford, UK: Clarendon)
- [30] Fallani L, Fort C, Lye J E and Inguscio M 2005 *Opt. Express* **13** 4303–13
- [31] Javanainen J and Yoo S M 1996 *Phys. Rev. Lett.* **76** 161
- [32] Javanainen J and Wilkens M 1997 *Phys. Rev. Lett.* **78** 4675
- [33] Castin Y and Dalibard J 1997 *Phys. Rev. A* **55** 4330
- [34] Combescot M and Betbeder-Matibet O 2010 *Phys. Rev. Lett.* **104** 206404
- [35] Naraschewski M and Glauber R J 1999 *Phys. Rev. A* **59** 4595