



HAL
open science

The self in context: brain systems linking mental and physical health

Leonie Koban, Peter J Gianaros, Hedy Kober, Tor D Wager

► **To cite this version:**

Leonie Koban, Peter J Gianaros, Hedy Kober, Tor D Wager. The self in context: brain systems linking mental and physical health. *Nature Reviews Neuroscience*, 2021, 22 (5), pp.309-322. 10.1038/s41583-021-00446-8 . hal-03207949

HAL Id: hal-03207949

<https://hal.sorbonne-universite.fr/hal-03207949>

Submitted on 26 Apr 2021

HAL is a multi-disciplinary open access archive for the deposit and dissemination of scientific research documents, whether they are published or not. The documents may come from teaching and research institutions in France or abroad, or from public or private research centers.

L'archive ouverte pluridisciplinaire **HAL**, est destinée au dépôt et à la diffusion de documents scientifiques de niveau recherche, publiés ou non, émanant des établissements d'enseignement et de recherche français ou étrangers, des laboratoires publics ou privés.

Perspective

The self in context: brain systems linking mental and physical health

Leonie Koban^{1,2,3,4*}, Peter J. Gianaros⁵, Hedy Kober⁶ and Tor D. Wager^{3,4,7*}

¹Paris Brain Institute (ICM), Paris, France.

²INSEAD, Fontainebleau, France.

³Institute of Cognitive Science, University of Colorado Boulder, CO, USA.

⁴Department of Psychology and Neuroscience, University of Colorado Boulder, CO, USA.

⁵Department of Psychology, University of Pittsburgh, PA, USA.

⁶Department of Psychiatry, Yale University, New Haven, CT, USA.

⁷Department of Psychological and Brain Sciences, Dartmouth College, Hanover, NH, USA.

*e-mails: leonie.koban@icm-institute.org (L.K.); tor.d.wager@dartmouth.edu (T.D.W.)

Abstract | Increasing evidence suggests that mental and physical health are linked by neural systems that jointly regulate somatic physiology and high-level cognition. Key systems include the ventromedial prefrontal cortex (vmPFC) and related default mode network (DMN). These systems help to construct models of the self-in-context, compressing information across time and sensory modalities into conceptions of the underlying causes of experience. Self-in-context models endow events with personal meaning and allow predictive control over behaviour and peripheral physiology, including autonomic, neuroendocrine and immune function. They guide learning from experience and the formation of narratives about the self and one's world. Disorders of mental and physical health, especially those with high co-occurrence and convergent alterations in vmPFC and DMN functionality, could benefit from interventions focused on understanding and shaping mindsets and beliefs about the self, illness and treatment.

Introduction

Historically, health was considered a matter of balance among interacting forces. Diagnosing and treating disease required an understanding of the whole person — including dietary habits, activities and personality. Today, however, mental health and physical health are viewed by many as separate, unconnected domains. Although integrative medicine and biopsychosocial models of health¹ emphasize

interconnections between mind, body, behaviour, social context and health, they still represent a minority view in the face of Western clinical practice and health-care policy. Physical diseases are typically viewed as resulting from many discrete forms of pathology whose mechanisms must be individually uncovered, studied and remedied². Modern approaches to mental disorders have followed a similar blueprint, fractionating clinical science, practice and policy. Although this approach has been extremely successful in some areas (for example, promoting the development of vaccines and antibiotics), other areas have enjoyed little progress in treatment development — for example, psychiatric disorders, sleep disorders, obesity and chronic pain³.

In this Perspective, we suggest that these latter disorders may share something in common: changes in the function of brain systems that govern how we conceptualize ourselves and our relationship to the world. Building on other recent theoretical developments⁴⁻¹¹, we propose that individuals construct mental representations of the ‘self-in-context’: models of the situations in which we find ourselves and their implications for our current and future wellbeing (**Fig. 1**). Such models extend recent concepts of ‘task states’^{7,12} or ‘cognitive maps’^{6,13,14} to incorporate personal wellbeing and brain–body feedback loops, consistent with other emerging views that emphasize the predictive and regulatory role of conceptual representations^{4,5}. Self-in-context models allow one to assign personal meaning to events and integrate them into long-term narratives about who they are. When these models bear on the self — on one’s current and future wellbeing — they become affective, driving motivated behaviour and physiological responses in the body in ways jointly relevant for mental and physical health.

We suggest that the default mode network (DMN; a large-scale network of interacting brain regions that is central to internal and conceptual thought^{15,16}), and particularly the ventromedial prefrontal cortex (vmPFC) and other key multimodal processing hubs within it¹⁷, play a crucial part in generating conceptual mental models of the self-in-context. At the same time, the vmPFC (alongside other frontal regions^{4,5,18,19} and in interaction with other systems such as the mesolimbic dopamine system²⁰) also mediates psychological influences on behaviour and on the body’s organs^{18,21}, shaping autonomic and neuroendocrine responses¹⁹, inflammation and other aspects of immunity^{19,22-24}. By linking conceptual models of the self-in-context and the regulation of behaviour and peripheral physiology, the vmPFC is positioned as a key mediator of both mental and physical health (**Fig. 1**).

According to this view, maladaptive models of self-in-context and erroneous attributions of causality are common factors underlying multiple forms of psychopathology. This may help explain the ubiquity of alterations in the vmPFC and

DMN in psychopathology²⁵, substance use disorders²⁶, neurological disorders such as dementia²⁷, and chronic pain²⁸. Alterations in self-in-context representations and meaning-making are likely to take different forms in different disorders and individuals, posing challenges for measurement and diagnostic models. However, on the bright side, self-in-context representations can be influenced by psychological treatment, social interactions and culture. Indeed, if conceptual processes — the links we make between different events and concepts — can adapt to provide flexible control in changing contexts, they should be able to change rapidly with new information, if one is open to receiving it. This malleability provides new impetus for building on and improving psychosocial treatments for both mental and physical health.

Common influences on health

Converging lines of evidence suggest that shared mechanisms may influence psychiatric and physical diseases. There is a growing awareness of high co-occurrence across mental and physical health disorders^{2,29,30} and potential common transdiagnostic genetic risk factors^{31,32} and disease mechanisms^{33,34}. For example, some estimate that more than 50% of individuals who qualify for one mental health diagnosis qualify for at least one other, and that 50% of those who qualify for two diagnoses, qualify for three³⁵. Accordingly, several large-scale analyses have pointed to the possibility that a common factor might underlie multiple types of psychopathology^{29,30}. Many psychiatric disorders, especially depression, are also highly comorbid with various somatic health problems, including chronic pain³⁶ and cardiovascular disease³⁷, with evidence for bidirectional causality (**Table 1**). In addition, shared risk is driven partly by shared genetic risk factors, which have also been associated with measures of negative affective style (such as neuroticism)^{31,32}. A common thread is vulnerability to negative interpretations of life events, negative conceptions of the future and persistent ensuing negative emotion.

Many disorders share common physiological risk factors, too. Increased sympathetic drive and reduced parasympathetic autonomic drive^{38,39} are features of acute and chronic psychosocial stress^{40,41}. This pattern of altered autonomic function features in multiple psychiatric conditions, including depression, PTSD, anxiety and addiction^{42,43}. Autonomic and neuroendocrine outflow influence systemic inflammation, which is a risk factor for multiple diseases and symptoms^{34,44}. Systemic increases in several pro-inflammatory cytokines — such as interleukin-1 β (IL-1 β), IL-6 and TNF- α — have been associated with depression⁴⁵, type 2 diabetes⁴⁶, coronary heart disease⁴⁷ and chronic pain⁴⁸. In some cases, blocking the actions of peripheral pro-inflammatory cytokines can reduce depression⁴⁹. Recent work has identified common patterns of

inflammatory gene expression across 11 rodent models of diseases (including models of diabetes, asthma, obesity and neuropathic pain)³⁴, and identified consistent gene expression alterations that occur in humans in response to adverse environments⁵⁰.

A key integrative concept is Cole's conserved transcriptional response to adversity (CTRA), a patterned, pro-inflammatory shift in gene expression in blood leukocytes that may confer resistance to infection and promote rapid energy mobilization in adverse environments⁵¹. However, in the long-term, this shift can confer vulnerability by diminishing the capacity of negative-feedback systems that regulate inflammation (for example, glucocorticoid resistance⁵²). These changes seem to be governed by descending sympathetic nervous system (SNS) efferents⁵³, and recent rodent studies support this notion. Stimulation of the ventral tegmental area (VTA), a major source of brain dopamine, reduces inflammation, boosts innate and adaptive immunity in response to a bacterial infection⁵⁴ and slows tumour growth in a metastatic melanoma model²⁴ via SNS innervation of bone marrow, a central site for leukocyte production^{24,54}.

Autonomic and inflammatory pathways are sensitive to conceptualization and mental models of events — that is, assigned personal meanings, credited hidden causes and imagined potential futures. Psychosocial stressors, such as a fight with a family member or giving a speech before a panel of critical judges⁵⁵, acutely increase levels of systemic inflammatory markers⁵⁶ and cardiovascular risk markers⁵⁷. Indeed, psychosocial stressors increase the risk of developing cardiac pathology⁵⁸. In patients with coronary artery disease, psychosocial stress can cause cardiac ischaemia, which prospectively predicts mortality 5 years later⁵⁹. The CTRA is also enhanced with social isolation in animals and perceived isolation (loneliness) in humans, and responds to psychological interventions (reviewed in ^{51,52}).

Persistent psychosocial stress is one example of a transdiagnostic risk factor whose effects depend on how one conceives of oneself and one's relationship with the world. Psychosocial stressors begin as conceptual threats, not physical ones. They depend entirely on our ability to represent, for example, another person's displeasure with us and to imagine that this is a dire signal of future failure in love and work. Such conceptualizations are defining features of other transdiagnostic risk and resilience factors, including depressed mood, anxiety, persistent anger and hostility, loneliness, and positive emotion (**Table 1**). Conceptualizations can be spread through words and culture and may constitute socially communicable risk factors that enhance resilience or disease susceptibility. For example, loneliness is a feeling supported by a set of beliefs (for example, "I am unlovable" or "I will always be alone"). Similar to other

beliefs, loneliness can spread through social networks to negatively influence health outcomes⁶⁰.

Finally, a common set of psychosocial treatment principles are effective for multiple mental and physical conditions. Across disorders, symptoms and dysfunction can be ameliorated by activities and events that enhance purpose, self-efficacy (the perceived capacity to deal with novel or challenging situations appropriately), feelings of connection to others, social engagement and positive treatment expectancies⁵⁷. These 'common factors' are thought to mediate most of the benefit of psychotherapy, irrespective of the particular type of treatment and psychopathology⁶¹. In both mental and physical health conditions, studies of placebo effects show that the act of receiving treatment in itself — along with the cognitive changes that accompany it — can confer benefits in both short-term experimental studies and long-term clinical studies across multiple disorders⁶²⁻⁶⁵. Placebo treatments can have clinically meaningful effects on pain, and in Parkinson disease, depression, anxiety, sleep disorders and more^{62,63,66}. The benefits of nonspecific treatment factors are not limited to formal clinical treatments: changing beliefs and mindsets in everyday life can also have beneficial consequences for health outcomes⁶⁷.

Mental models of self-in-context

Most organisms can predict and learn about environmental threats and opportunities. Learning has often been assumed to be based on simple associations between cues or actions and rewards or punishments. However, humans (and probably other mammals⁶⁸) can form abstract, multimodal representations of the underlying contexts, or 'situations,' that cause events to occur (**Fig. 1**). Such 'situation representations', are conceptual, and are closely related, although not identical, to the heuristic notions of schemas or mindsets⁶⁹. They are mental models of both sensory information and action–outcome contingencies, organized around recurring causal structures (for example, 'betrayed by a friend' or 'alone in a dangerous place'). Situation representations have several core properties. They integrate across sensory modalities and timescales, enabling context-dependent behaviour and generalization to new, similar scenarios^{7,70,71}. The specific sensory cues in a given environment are less important to the construction of situation representations than are the conceptions of the latent causes — intentions, motives and hidden processes — behind actions and events. Thus, situation representations are essentially compressive, reducing complex sets of sensory cues to low-dimensional characterizations. Their formation and use is often automatic and effortless, forming the backdrop of our everyday cognition — but they can also be responsive to deliberation, conferring flexibility based

on diverse cognitive and sensory inputs. Such internal models have an adaptive function: they extract causal structure from a complex jungle of sensory and interoceptive signals^{7,72}, distilling what is crucial to predict future events and guide anticipatory action.

Here we are concerned with schemas that involve the self. Self-in-context representations connect states — features and action-outcome contingencies relevant for decisions — to signals of current pleasure and pain. However, they are also multi-temporal, extending representations of bodily and social wellbeing into the past and future (**Fig. 1**). For example, the situation ‘stock market crash, lost my life savings’ can increase one’s blood pressure because it is tied to one’s conception of long-term future wellbeing. The more relevant for the wellbeing of the self, the more affectively charged the event, and the more strongly the body responds by mobilizing cognitive and metabolic resources for action. Self-in-context models thus represent information along dimensions that are relevant for the self, imbuing sensory features and potential actions with personal meaning.

Self-in-context representations confer a crucial evolutionary advantage over simple associations. They allow prediction of future outcomes from latent causes (for example, another person’s hidden intentions) inferred from the integration of sensory and interoceptive signals with prior conceptual knowledge^{11,73}. Such predictions can arise from minimal input (such as a single word), can rapidly shift predictions when important relationships change and can generalize to similar situations with very different physical cues. Models can include representations of one’s perceived status and coping resources⁷⁴. For example, one’s response to being pushed will probably be different if the push was accidental, or if the pusher is a small child. Mental models can also integrate across timescales, combining events that happened seconds ago with those that happened years earlier, permitting re-interpretation of past events in light of new evidence.

The idea of self-in-context models builds on recent work on decision-making, in which simple situation representations are modelled using partially observable Markov decision processes¹². These models encapsulate the idea that an organism infers its underlying state (a set of causal contingencies) from sensory cues but cannot directly observe the underlying causal structure. Cognitive maps — sets of conceptual relationships between objects and events based on their positions in an underlying dimensional space — describe the inferred transitions among underlying states^{6,12}. Markov models capture transitions among discrete ‘task states’ over time; but at a cognitive level, situation representations are not constrained to the present, and exist as sets of causal contingencies untethered from any particular moment in time.

The predictive control afforded by self-in-context representations may influence perception as well as action, including perception of exteroceptive signals from the environment and interoceptive signals from within the body^{11,73,75-77}. According to theories of predictive coding, sensory input is compared with ‘top-down’ predictions generated by an internal model (exemplified by self-in-context representations). Sensory systems pass forward only differences from expectation, not all sensory input, which serve to update the model (that is, learning). Perception is thus an inference based on both sensory input and prediction-generating situation conceptions (**Fig. 1**). This view emphasizes perception as a constructive process: we perceive what we should perceive in order to optimize perception and behaviour in noisy or uncertain conditions⁹. Predictive coding has been proposed as a general principle of information processing in the brain^{9,11,73,75}, whereby higher levels of a processing hierarchy are sources of ‘top-down’ information, often represented in Bayesian models as formal priors (probability distributions of the likelihood of an event). It has recently been applied to understanding pain⁷⁸, interoception^{4,5,8}, physiological regulation and reactivity to stress⁷⁹, depression⁷⁷, social cognition and interpersonal behaviour^{80,81} among other phenomena. Although prediction–inference feedback loops may be a general feature of computational systems, including artificial neural networks, self-in-context representations incorporating the future wellbeing of the self require specific types of information integration; we suggest below that they are implemented in particular brain systems.

In sum, ‘self-in-context’ representations are internal models of situations and underlying causal structures that bear on our future survival and wellbeing. They integrate perceptual information across exteroceptive and interoceptive senses with conceptual information from memory and prospective faculties into a low-dimensional representation that jointly influences sensory perception and behaviour (**Fig. 1**). Self-in-context representations are generative, in that they allow one to simulate the consequences of potential actions; interpretive, as they allow one to understand incoming sensory signals as clues to one’s current state; attributive, as sensory events are assigned to latent causes; instructive, as causal attributions shape what is learned from experience; and predictive, in that they predict what one will experience in a given situation. Finally, because they are tied to wellbeing, such representations can become affectively ‘hot’ and have a special ability to mobilize physiological (for example, autonomic, endocrine or metabolic) systems.

Self-in-context in the brain

Constructing and acting on mental models necessitates a brain substrate that integrates and flexibly updates many different cognitive, affective and physiological processes. We suggest that the construction of mental models that integrate ‘self’ and environment is a particular faculty, and that a system centred on the vmPFC (**Fig. 2**) and other DMN regions^{5,11} is particularly important.

The vmPFC is a cortical zone that spans multiple cytoarchitectonic regions (**Fig. 2a,b**) and that is anatomically and functionally positioned to integrate conceptual thought with peripheral physiology. Presumed vmPFC homologues in rodents include infralimbic and paralimbic cortex (**Supplementary information S1**), but the mapping with functional zones in primates is complex⁸² and some functional roles may differ between species⁸³. The vmPFC receives few direct sensory inputs. However, it has strong bidirectional links with sensory-integration regions in the lateral orbitofrontal cortex (OFC) and mediodorsal thalamus; interoceptive regions in the insula; motivational and reward-processing circuits including the amygdala, hypothalamus and ventral striatum (or nucleus accumbens; **Fig. 2f**)²⁰; and circuits involved in memory and context, including the perirhinal cortex and hippocampus⁸⁴. Strong descending projections from the vmPFC to autonomic and neuroendocrine control regions in the hypothalamus and brainstem, including the periaqueductal gray and dorsal raphe⁸⁵ (**Fig. 2d**), enable the vmPFC to regulate visceromotor output^{18,22}.

The vmPFC participates in multiple cortical networks that have been identified in resting-state functional MRI (fMRI) studies (**Fig. 2c**). The ventral vmPFC (or medial OFC) is part of the so-called limbic network⁸⁶ and is functionally coupled with the medial and anterior temporal lobes. In humans and other species, this network mediates stress-related autonomic and immune output⁸⁷. The dorsal vmPFC is a core part of the DMN^{86,88,89}, and is coupled with the posterior cingulate cortex, precuneus and temporoparietal junction⁹⁰. Both the dorsal and ventral vmPFC are connected to the lateral OFC, and some neuroanatomists have referred to the combined vmPFC–OFC network as the ‘OMPFC’²². Although the vmPFC and OFC are functionally dissociable⁹¹, lesions in rodents and primates often ablate these regions together, and thus many functions attributed to OFC may be shared with vmPFC as well.

The DMN and vmPFC exhibit many of the hallmarks of rapid, flexible and integrative processes described above. Connectomics studies identify the DMN as an integrative hub network that sits at the top of a hierarchy combining multiple unimodal sensorimotor processes into integrated, multimodal processes^{92,93}. The vmPFC in particular is crucial for regulating physiology and behaviour, putting it in a special

position at the interface between conceptual thought, decision-making and bodily regulation (**Fig. 3**).

Conceptual thought

The DMN was named for its high metabolic activity during rest⁹⁴ and is central to self-generated spontaneous thought⁹⁵ and (in connection with lateral PFC) goal-directed thought^{90,96}. In humans, the vmPFC in particular is activated during the retrieval of episodic (especially autobiographical) memories^{97,98} and semantic memory⁹⁹. It is crucial for prospection (imagining future events)^{100,101}; vmPFC damage impairs people's ability to imagine the future in rich detail¹⁰². Activation patterns in vmPFC and other core DMN regions are stable across movie or story segments with coherent narrative themes¹⁰³, integrating past information¹⁰⁴ into representations of narrative meaning¹⁰⁵. Activation patterns in the vmPFC, like conceptual understanding, can also shift suddenly when new information allows insight¹⁰⁶.

A key basic ability underlying conceptual thought is relational representation. For example, semantic memory is grounded in an interconnected web of concepts embedded in semantic space¹⁰⁷. The vmPFC is robustly activated during semantic memory retrieval⁹⁹. Along with the hippocampus, it also encodes position in other relational structures, including physical space, with fMRI signal tracking activity in a hexagonal 'grid cell'-like pattern¹⁰⁸. Grid cells are thought to help represent relationships among discrete locations (or object features) in a low-dimensional space — effectively, a compressed model that enables the representation of positional similarity and generalization⁶. Recent studies have found grid-cell-like patterns of activity in the vmPFC that code information in conceptual space as well, for example when retrieving relationships among newly learned object categories^{14,109}. Thus, vmPFC may facilitate the formation of cognitive maps⁶ that represent the position of objects, persons and situations in a relational space¹¹⁰ (**Box 1**).

At a computational level, vmPFC and OFC enable the representation of latent states: hidden environmental states that determine outcomes (such as safety or harm) and guide value-based decision making and learning. The simplest stimulus–response associations can be learned and expressed without the PFC, but most natural environments require inferences about what the relevant states of the environment are and which sensory signals indicate them^{7,72}. The OFC is crucial for learning in these situations, when states are “perceptually similar but conceptually dissimilar”^{7,72}, or when the cues that indicate a state are only partially observable¹¹¹. Indeed, the very ability to form an expectation of a specific future outcome (for example, “if I press, I will get juice”) seems to require the vmPFC and/or the OFC^{68,112}.

Another example of conceptually driven relations is counterfactual learning or fictive learning tasks, in which the reward value of an action depends on what might have been had one chosen differently. In such tasks, vmPFC activity is a strong correlate of regret¹¹³, and counterfactual emotions such as regret are reduced in individuals with vmPFC lesions¹¹⁴.

Self-referential thought and social cognition. The vmPFC is activated by self-referential processing across diverse task paradigms^{115,116}, including during processing of self-relevant words and personality traits¹¹⁶, during interoceptive awareness^{8,117}, or when reflecting on one's feelings¹¹⁸, self-ownership¹¹⁹ and social position¹²⁰. Structural connectivity between vmPFC and ventral striatum correlates with individual differences in self-esteem¹²¹.

Thinking about others and their mental states (known as mentalizing) also activates the dmPFC and vmPFC, along with other DMN regions^{122,123}. Whereas the vmPFC is engaged by thinking about others who are close or similar to oneself^{124,125}, the dmPFC is more strongly engaged in impression formation and mentalizing about others¹¹⁶. When making a choice between immediate and delayed rewards, vmPFC activation tracks personal subjective value¹²⁶, whereas dmPFC activity tracks value on behalf of another person with dissimilar preferences¹²⁷. But when decisions need to be made on another's behalf, vmPFC encodes value for the other¹²⁷. The vmPFC and interconnected regions also encode others' positions in a social network^{128,129}, and predict warm and empathetic responses to others in distress¹³⁰. Conversely, vmPFC damage impairs affective perspective taking and empathy^{131,132} and the ability to care about potential future harm to others and oneself¹³³. Thus, the vmPFC seems to be important for both representing value for the self and representing others' feelings and preferences. A flexible frame of reference enables people to self-project — to “walk a mile in someone else's shoes” — a crucial ability for maintaining social relationships.

Value and affect. In connection with subcortical networks, the vmPFC is central to the representation of affective value¹³⁴⁻¹³⁷ and the generation of both positive and negative emotions^{138,139}, across induction methods and emotion categories^{11,140}. Across studies, it tracks the value and pleasantness of stimuli across different modalities, including money, food and social rewards^{134,141}. On the aversive side, vmPFC is thought to provide context signals that inhibit threat-related responses in the amygdala after threat extinction in humans, primates, and rodents¹⁴². Its role is broad, but selective: the vmPFC–OFC system does not seem to be necessary for basic behavioural and physiological responses to threats or rewards, for reward preferences,

or for behavioural inhibition per se¹⁰. However, it does seem to be necessary for the flexible use of context information to guide behaviour and physiology¹⁴³. Several recent lines of work highlight the constructive and conceptual nature of valence. For example, when participants imagine meeting a person they like in a neutral place, the place becomes more liked¹⁴⁴. This associative generalization is encoded by the vmPFC. Patterns of vmPFC activity also encode attitudes related to racial stereotypes¹⁴⁵, and vmPFC activity during the experience of pain tracks perceived racial discrimination and mediates enhanced pain sensitivity in African Americans¹⁴⁶. African Americans show stronger vmPFC responses to painful stimulation, and stronger responses are predictive of greater pain in the African American group.

We suggest that 'value' and 'valence' are psychological descriptors of how self-in-context models operate. Self-in-context models compress data about the internal and external world into reduced-dimensional space. But which dimensions of the myriad possible ways of organizing experience should be represented? A useful simplified model must focus on those that are most central for the survival and wellbeing of the organism (see also ⁷³) and are therefore intrinsically linked to value or valence. We suggest that stronger relevance for bodily integrity and wellbeing is what makes a situation more 'affective' and imbues it with positive or negative valence and other motivational properties (such as approach–avoidance motivation). In this view, self-in-context models and the likelihood of wellbeing are updated based on new events or information. The nature and magnitude of the update (that is, its derivative) determines the affective value ascribed to the event, and the possible paths to long-term wellbeing given the current model state determine mood, optimism and self-related affect (see refs ^{147,148}).

The vmPFC and DMN help construct this representation of the self in this low-dimensional space. This might explain the abundance of vmPFC–OFC neurons that encode both positive and negatively valenced signals¹⁴⁹ and the dysregulation of emotions and situated real-life behaviour after vmPFC damage¹³². Finally, a hallmark of affective valence and processing priority alike is the mobilization of physiological resources. As we outline below, the DMN — and vmPFC in particular — is positioned to guide physiological responses and behavioural decisions based on self-in-context models.

Regulation of body and behaviour

The vmPFC and DMN, directly and via connections with other networks¹¹ (**Box 1; Fig. 3**) are positioned to influence mental and physical health through influences

both on health-relevant decision-making and on autonomic and endocrine systems, which together confer vulnerability or resilience over time.

Health-related decision-making. In the biopsychosocial model of health, value-based decision-making — what to eat, what to avoid, and when to exert effort — is paramount. The vmPFC and OFC are particularly important when decisions are guided by context-dependent affective value, consistent with the idea of self-in-context representations. Lesions of vmPFC homologues in rodents and non-human primates do not affect basic reward preferences, reward learning, unconditioned threat responses or basic conditioned threat acquisition or extinction (for review, see¹⁰). However, vmPFC and OFC lesions do affect behaviours that depend on the integration of situational (for example, place), social or interpersonal, temporal or interoceptive (for example, satiety-related) information into reward-guided or threat-guided behavioural decisions. For example, in rats, vmPFC lesions or inactivation do not affect threat learning or extinction, but impair the ability to consolidate and use memories when a context changes from being threatening to being safe¹⁵⁰. When shocks are escapable, a representation of perceived control (that is, an action–escape contingency) in the vmPFC suppresses threat-related responses in the dorsal raphe nucleus and associated threat behaviours¹⁵¹. vmPFC inactivation suppresses the benefits of perceived control, and vmPFC stimulation confers similar benefits for behaviour even when shocks are inescapable¹⁵¹. vmPFC lesions also disrupt other context-dependent appetitive behaviours, including selective satiety — a shift in food preferences when one has consumed enough of a particular food — and rapid shifts in choice behaviour when reward contingencies change^{152,153}. In humans, lesions of the vmPFC do not generally disrupt basic value preferences, but do disrupt the ability to generate behaviours and emotions appropriate to the situational and social context^{154,155}.

Accordingly, in human imaging studies, the vmPFC responds to manipulations of the social and informational context that shape reward- and threat-driven behaviour. In threat-learning studies, it responds during extinction recall¹⁵⁶, reversals of cue–shock contingencies from threat to safety¹⁵⁷ and manipulations that increase perceived control¹⁴². Suggestions that a placebo treatment is an effective analgesic activate the vmPFC and OFC, increase vmPFC connectivity with the periaqueductal gray (PAG)¹⁵⁸ and promote opioid release in vmPFC and PAG⁶⁵. In reward studies, the vmPFC responds to selective satiation signals that guide food choices¹⁵⁹ and influences of suggestion on value^{135,160}. The vmPFC also responds to vicarious reward, experienced

when rewards are given to similar others¹⁶¹, and encodes information about social categories related to racial and sociocultural stereotypes^{145,162}.

The vmPFC is also prominently involved in cognitive self-regulation, a set of techniques for altering appraisals (conceptualizations of the meanings of situations and events in terms of their hidden causes and likely future trajectories), attributions and construals of affective meaning. Dietary self-control (the ability to regulate behaviour and impulses to achieve long-term goals) is positively correlated with functional activation^{136,137} and grey-matter density¹⁶³ in the vmPFC and dlPFC. Focusing on the tastiness of food increases functional connectivity between the ventral striatum and vmPFC, whereas focusing on health aspects of food increases connectivity between the dlPFC and vmPFC^{136,137}. Acute stress changes value signals in vmPFC to favour high-calorie foods and increases vmPFC–ventral striatum connectivity¹⁶⁴. Conversely, reframing appetitive smoking cues by thinking about the long-term consequences of smoking can reduce cigarette craving and vmPFC activity¹⁶⁵. Another form of self-regulation is engaging in prospective thought and evoking positive memories, both of which can shift value-based choices towards long-term rather than immediate gains (that is, reduced delay discounting). Positive prospection also increases vmPFC activity^{166,167}. By contrast, successful cognitive downregulation of negative emotion and pain are also mediated by activation of a pathway from the vmPFC to the nucleus accumbens^{168,169}. An emerging view of self-regulation is that it involves selective reinforcement of certain ingredients of self-in-context models — for example, a focus on the future self, or the undesirable properties of cigarettes — that alter the way affective value is constructed.

The consequences of these context- and value-guided decisions can manifest over time in the form of the long-term effects of health-related behaviours: how we sleep, eat, play, work and connect. For example, vmPFC responses to health-related messages (for example, to quit smoking) predict long-term attempts at behaviour change (such as calls to helplines¹⁷⁰; reviewed in¹⁷¹).

Peripheral regulation. In addition to shaping behaviour, vmPFC has a key role in controlling the autonomic and neuroendocrine systems, which shape the body's physiological health over time^{19,172}. Chronic uncontrollable stressors result in 'wear and tear' on bodily systems that adversely affects health¹⁷³. Whether we conceive of events as threatening and out of our control is particularly important^{51,69,174-176}. Low socioeconomic status, low perceived social standing, adverse childhood experiences and perceived racial discrimination constitute risk factors for poor mental health and reductions in longevity^{177,178}.

The vmPFC is part of a system that controls the autonomic nervous system via its efferent projections (**Fig. 2d**; **Fig. 3**; **Supplementary information S1**) to structures in the hypothalamus, forebrain (such as the amygdala and nucleus accumbens) and brainstem (such as the PAG)^{18,19,41,179}. The sympathetic and parasympathetic branches of the autonomic nervous system influence all of the body's organs, from the heart to the bone marrow (where many immune cells are produced) and more. The vmPFC also governs hormone release via the hypothalamic–pituitary–adrenal (HPA) axis and the sympatho–adrenal medullary (SAM) axis¹⁸, which regulate stress responses and homeostatic adaptation; the hypothalamic–pituitary–thyroid axis, which regulates the body's metabolism; and the hypothalamic–pituitary–gonadal axis, which regulates developmental and reproductive functions (**Fig. 2e**). In turn, autonomic and hormonal responses influence the expression of systemic pro-inflammatory and anti-inflammatory cytokines and chemokines^{172,180}.

vmPFC activity correlates with stress-evoked and task-evoked autonomic responses, including heart rate, heart rate variability, blood pressure and skin conductance^{179,181}. In non-human animals, vmPFC–hypothalamus and vmPFC–PAG pathways seem to be topographically organized by behavioural functions that are related to the optimal response to strong threats (for example, 'avoid', 'escape', 'fight', 'flight', 'surrender' or 'defecate')^{182,183}.

The vmPFC also has a role in modulating levels of systemic inflammation^{44,184}. A meta-analysis of human brain–immune correlations identified a network involving the mPFC, amygdala, ventral striatum, hippocampus, hypothalamus and pons²³, including areas of both the DMN and limbic network. Brain correlates of immune markers were identified in both the dorsal mPFC and posterior (subgenual) vmPFC. The vmPFC was the region most strongly co-activated with the brainstem, and its activity correlated with inflammatory measures during emotion-induction tasks (rather than cognitive tasks) in particular. Thus, vmPFC–subcortical pathways may mediate inflammation driven by conceptualization of the self-in-context.

Future outlook

A common factor

Alterations in the vmPFC and interconnected areas of the DMN have been implicated in multiple psychiatric conditions, including major depressive disorder (MDD), anxiety, schizophrenia, attention deficit–hyperactivity disorder (ADHD), post-traumatic stress disorder (PTSD) and drug addiction²⁵. Pathology in this system may represent a common underlying factor across disorders^{30,29}, and may explain the high rate of co-occurrence of different disorders. Grey-matter reductions in the DMN and vmPFC in

particular were among the features most consistently associated with psychopathology in a recent meta-analysis of transdiagnostic features in ADHD, MDD, PTSD, anxiety disorders, autism, bipolar disorder, obsessive–compulsive disorder and schizophrenia¹⁸⁵ (although the dlPFC is also important¹⁸⁶). Resting-state hypoconnectivity in the ventral DMN and hyperconnectivity in the dorsal DMN was also a transdiagnostic feature, along with reductions in negative coupling between DMN and frontoparietal networks¹⁸⁵. These brain features may extend to somatic disorders as well: Reductions in vmPFC grey matter are also consistently associated with chronic pain across studies¹⁸⁷, paralleling functional and structural changes in mPFC–NAc circuits in rodent models of chronic pain¹⁸⁸.

Such alterations need not reflect only ‘organic’ changes in brain organization independent of cognition. Rather, they might reflect the cumulative effects of altered self-in-context models. For instance, depression and anxiety are associated with negatively biased beliefs regarding the self and/or its ability to cope with events. Chronic pain may be increased and maintained by perceiving pain as threatening and body movement as potentially dangerous. Over time, these models may manifest as maladaptive alterations in behavioural and physiological responses to life events — for example, avoidance of novel situations or exercise, or dysregulation of the autonomic or neuroendocrine system.

Leverage points

Self-in-context models can be thought of heuristically as mindsets that shape what information we are open to accepting, to which hidden causes we attribute past and current events, and what we learn from experience. Healthy mindsets reduce negative beliefs about the future (such as hopelessness) and unwarranted blame and hostility (particularly that directed towards the self), and induce openness to potential benefits and opportunities⁶⁹. Unhealthy mindsets, particularly negative self-evaluation and negative beliefs about the potential for positive change, are associated with poor health. For example, random assignment to the suggestion that one is genetically intolerant of exercise reduced running endurance and measures of lung gas exchange¹⁸⁹. Negative beliefs about ageing are associated with less engagement in healthy behaviours¹⁷⁵ and reduced longevity¹⁷⁶. Having a negative stress mindset — the belief in stressors as debilitating (versus as helpful opportunities for growth)¹⁹⁰ — can amplify negative effects of stress. In a study of >28,000 individuals, high perceived stress coupled with the belief that stress negatively affects health was associated with a 43% increase in death rate compared with the absence of either risk factor¹⁹¹.

Recent studies suggest that the vmPFC and OFC mediate effects of several types of brief mindset interventions^{192,193}, supporting the centrality and malleability of self-in-context representations. Suggestions that other people experienced a painful stimulus as particularly intense increased both pain experience and autonomic responses^{194,195}. Conversely, social manipulations, such as receiving supportive touch from a romantic partner¹⁹⁶ or voluntarily accepting pain on behalf of another person¹⁹⁷, reduce pain experience and measures of pain-related brain activity — effects mediated by changes in vmPFC and OFC activity. Brief training in mindful acceptance¹⁹⁸ or meditation¹⁹⁹ also reduce pain and negative emotion, along with brain responses associated with these¹⁹⁸, including reduced activity in vmPFC and other DMN regions during pain¹⁹⁹. These interventions can meaningfully affect physiology; they influence the most sensitive and specific brain measure related to pain currently available, with effect sizes larger than those found in placebo interventions²⁰⁰.

Mindsets also shape what we learn from experience, creating benefits or harms that compound over time. For example, individuals with social anxiety disorder have a negative mindset about themselves and their social standing. In laboratory experiments, individuals with social anxiety disorder learn more quickly from negative than positive social feedback than do non-anxious controls¹⁴⁸, potentially creating a self-reinforcing cycle of anxiety and self-doubt. Expectations about pain can also become self-reinforcing, such that one ‘gets the pain one expects’²⁰¹. Computational models of self-reinforcing feedback cycles indicate that two key factors are required: first, that experience is assimilated to initial beliefs (that is, negative expectations enhance pain); and second, that experiences incongruent with initial beliefs are discounted or ignored²⁰¹.

Psychotherapy may work by reshaping one’s self-in-context representations over time. Many forms of psychotherapy focus on helping individuals foster health-promoting appraisals, causal attributions and meaning-making. In addition, much of the benefit of therapy is not due to specific protocols, but to ‘common factors’ such as positive expectation, self-efficacy and engagement⁶¹, which shift patients’ mindsets. The vmPFC–OFC, hippocampus, and amygdala are among the regions most consistently altered after psychotherapy in various mental health disorders^{202,203}. The benefits of common factors are not exclusive to any particular treatment, and can have substantial effects on diverse medical conditions, including migraine, depression, anxiety, Parkinson disease, asthma, irritable bowel syndrome and arthritis²⁰⁴.

Beyond formal psychotherapy and medical treatment, shifts in conceptual thinking towards healthier self-in-context representations can be influenced in various ways: through interactions with friends, family and communities; through mindfulness

and self-regulation training; and through public health policy. For example, across more than 300 trials of psychological interventions in individuals with cancer²⁰⁵, people with strong social support networks survive longer²⁰⁶. Psychosocial interventions can increase survival time, particularly for those who are more socially isolated²⁰⁷, and improve cancer-relevant immune measures^{205,208}. Two randomized trials of psychosocial interventions showed improvements in mood, in cancer survival 7–11 years later and in measures of cellular immunity, including natural-killer-cell cytotoxicity and lymphocyte proliferation^{209,210}.

The effects of psychosocial interventions and changes in mindsets are undoubtedly complex, and we have much to learn. Self-in-context representations inherently vary across individuals and may be maladaptive in myriad ways across different disorders. In addition, they surely depend on complex neural interactions involving multiple brain regions and systems. However, the central idea here is that there is a focal point, a neural hub for integrating the various elements of experience into a coherent view of the world and our trajectory through it. Understanding this as a common, driving force underlying wellbeing may help us reconceptualize the role of the brain in mental and physical disorders alike. And, because self-in-context models are fundamentally ideas, there is hope that people can learn to change them for the better in themselves and in those they care for.

References

- 1 Engel, G. L. The need for a new medical model: a challenge for biomedicine. *Science* **196**, 129-136 (1977).
- 2 Suls, J. & Green, P. A. Multimorbidity in health psychology and behavioral medicine. *Health Psychol.* **38**, 769-771 (2019).
- 3 Kapur, S., Phillips, A. G. & Insel, T. R. Why has it taken so long for biological psychiatry to develop clinical tests and what to do about it? *Mol. Psychiatry* **17**, 1174 (2012).
- 4 Barrett, L. F. & Simmons, W. K. Interoceptive predictions in the brain. *Nat. Rev. Neurosci.* **16**, 419-429 (2015).
- 5 Kleckner, I. R. *et al.* Evidence for a Large-Scale Brain System Supporting Allostasis and Interoception in Humans. *Nat Hum Behav* **1** (2017).
- 6 Behrens, T. E. J. *et al.* What Is a Cognitive Map? Organizing Knowledge for Flexible Behavior. *Neuron* **100**, 490-509 (2018).
- 7 Schuck, N. W., Cai, M. B., Wilson, R. C. & Niv, Y. Human Orbitofrontal Cortex Represents a Cognitive Map of State Space. *Neuron* **91**, 1402-1412 (2016).
- 8 Seth, A. K. Interoceptive inference, emotion, and the embodied self. *Trends Cogn. Sci.* **17**, 565-573 (2013).
- 9 Friston, K. The free-energy principle: a unified brain theory? *Nat. Rev. Neurosci.* **11**, 127-138 (2010).
- 10 Stalnaker, T. A., Cooch, N. K. & Schoenbaum, G. What the orbitofrontal cortex does not do. *Nat. Neurosci.* **18**, 620-627 (2015).
- 11 Barrett, L. F. The theory of constructed emotion: an active inference account of interoception and categorization. *Soc. Cogn. Affect. Neurosci.* **12**, 1833, doi:10.1093/scan/nxx060 (2017).
- 12 Gershman, S. J., Norman, K. A. & Niv, Y. Discovering latent causes in reinforcement learning. *Current Opinion in Behavioral Sciences* **5**, 43-50, doi:10.1016/j.cobeha.2015.07.007 (2015).
- 13 Tolman, E. C. Cognitive maps in rats and men. *Psychol. Rev.* **55**, 189-208 (1948).
- 14 Constantinescu, A. O., O'Reilly, J. X. & Behrens, T. E. J. Organizing conceptual knowledge in humans with a gridlike code. *Science* **352**, 1464-1468 (2016).
- 15 Buckner, R. L. & DiNicola, L. M. The brain's default network: updated anatomy, physiology and evolving insights. *Nat. Rev. Neurosci.* (2019).
- 16 Raichle, M. E. The brain's default mode network. *Annu. Rev. Neurosci.* **38**, 433-447 (2015).
- 17 van den Heuvel, M. P. & Sporns, O. An Anatomical Substrate for Integration among Functional Networks in Human Cortex. *J. Neurosci.* **33**, 14489-14500, doi:10.1523/JNEUROSCI.2128-13.2013 (2013).
- 18 Dum, R. P., Levinthal, D. J. & Strick, P. L. Motor, cognitive, and affective areas of the cerebral cortex influence the adrenal medulla. *Proc. Natl. Acad. Sci. U. S. A.* **113**, 9922-9927 (2016).
- 19 Ulrich-Lai, Y. M. & Herman, J. P. Neural regulation of endocrine and autonomic stress responses. *Nat. Rev. Neurosci.* **10**, 397-409 (2009).
- 20 Haber, S. N. & Knutson, B. The reward circuit: linking primate anatomy and human imaging. *Neuropsychopharmacology* **35**, 4-26 (2010).
- 21 Alexander, L. *et al.* Over-activation of primate subgenual cingulate cortex enhances the cardiovascular, behavioral and neural responses to threat. *Nat. Commun.* **11**, 5386, doi:10.1038/s41467-020-19167-0 (2020).
- 22 Öngür, D. & Price, J. L. The Organization of Networks within the Orbital and Medial Prefrontal Cortex of Rats, Monkeys and Humans. *Cereb. Cortex* **10**, 206-219 (2000).

- 23 Kraynak, T. E., Marsland, A. L., Wager, T. D. & Gianaros, P. J. Functional neuroanatomy of peripheral inflammatory physiology: A meta-analysis of human neuroimaging studies. *Neurosci. Biobehav. Rev.* **94**, 76-92 (2018).
- 24 Ben-Shaanan, T. L. *et al.* Modulation of anti-tumor immunity by the brain's reward system. *Nat. Commun.* **9**, 2723, doi:10.1038/s41467-018-05283-5 (2018).
- 25 Hiser, J. & Koenigs, M. The Multifaceted Role of the Ventromedial Prefrontal Cortex in Emotion, Decision Making, Social Cognition, and Psychopathology. *Biological Psychiatry* (2017).
- 26 Volkow, N. D., Koob, G. F. & McLellan, A. T. Neurobiologic Advances from the Brain Disease Model of Addiction. *N. Engl. J. Med.* **374**, 363-371 (2016).
- 27 Zhou, J. *et al.* Divergent network connectivity changes in behavioural variant frontotemporal dementia and Alzheimer's disease. *Brain* **133**, 1352-1367 (2010).
- 28 Geha, P. Y. *et al.* The Brain in Chronic CRPS Pain: Abnormal Gray-White Matter Interactions in Emotional and Autonomic Regions. *Neuron* **60**, 570-581 (2008).
- 29 Kessler, R. C. *et al.* Development of lifetime comorbidity in the World Health Organization world mental health surveys. *Arch. Gen. Psychiatry* **68**, 90-100 (2011).
- 30 Caspi, A. *et al.* The p Factor: One General Psychopathology Factor in the Structure of Psychiatric Disorders? *Clin. Psychol. Sci.* **2**, 119-137 (2014).
- 31 Lo, M.-T. *et al.* Genome-wide analyses for personality traits identify six genomic loci and show correlations with psychiatric disorders. *Nat. Genet.* **49**, 152-156, doi:10.1038/ng.3736 (2017).
- 32 Brainstorm, C. *et al.* Analysis of shared heritability in common disorders of the brain. *Science* **360**, doi:10.1126/science.aap8757 (2018).
- 33 Insel, T. R. & Cuthbert, B. N. Medicine. Brain disorders? Precisely. *Science* **348**, 499-500 (2015).
- 34 Wang, I. M. *et al.* Systems analysis of eleven rodent disease models reveals an inflammatome signature and key drivers. *Mol. Syst. Biol.* **8**, 594 (2012).
- 35 Demyttenaere, K. *et al.* Prevalence, severity, and unmet need for treatment of mental disorders in the World Health Organization World Mental Health Surveys. *JAMA* **291**, 2581-2590 (2004).
- 36 Tsang, A. *et al.* Common chronic pain conditions in developed and developing countries: gender and age differences and comorbidity with depression-anxiety disorders. *J. Pain* **9**, 883-891 (2008).
- 37 Davidson, K. W., Alcántara, C. & Miller, G. E. Selected psychological comorbidities in coronary heart disease: Challenges and grand opportunities. *Am. Psychol.* **73**, 1019-1030 (2018).
- 38 Ginty, A. T., Kraynak, T. E., Fisher, J. P. & Gianaros, P. J. Cardiovascular and autonomic reactivity to psychological stress: Neurophysiological substrates and links to cardiovascular disease. *Auton. Neurosci.* **207**, 2-9 (2017).
- 39 Kraynak, T. E., Marsland, A. L. & Gianaros, P. J. Neural Mechanisms Linking Emotion with Cardiovascular Disease. *Curr. Cardiol. Rep.* **20**, 128 (2018).
- 40 Kim, H.-G., Cheon, E.-J., Bai, D.-S., Lee, Y. H. & Koo, B.-H. Stress and Heart Rate Variability: A Meta-Analysis and Review of the Literature. *Psychiatry Investig.* **15**, 235-245 (2018).
- 41 Thayer, J. F., Åhs, F., Fredrikson, M., Sollers, J. J. & Wager, T. D. A meta-analysis of heart rate variability and neuroimaging studies: Implications for heart rate variability as a marker of stress and health. *Neurosci. Biobehav. Rev.* **36**, 747-756 (2012).
- 42 Alvares, G. A., Quintana, D. S., Hickie, I. B. & Guastella, A. J. Autonomic nervous system dysfunction in psychiatric disorders and the impact of

- psychotropic medications: a systematic review and meta-analysis. *J. Psychiatry Neurosci.* **41**, 89-104 (2016).
- 43 Chalmers, J. A., Quintana, D. S., Abbott, M. J. A. & Kemp, A. H. Anxiety Disorders are Associated with Reduced Heart Rate Variability: A Meta-Analysis. *Frontiers in Psychiatry* **5**, 80 (2014).
- 44 Dantzer, R., O'Connor, J. C., Freund, G. G., Johnson, R. W. & Kelley, K. W. From inflammation to sickness and depression: when the immune system subjugates the brain. *Nat. Rev. Neurosci.* **9**, 46-56 (2008).
- 45 Valkanova, V., Ebmeier, K. P. & Allan, C. L. CRP, IL-6 and depression: a systematic review and meta-analysis of longitudinal studies. *J. Affect. Disord.* **150**, 736-744 (2013).
- 46 Pradhan, A. D., Manson, J. E., Rifai, N., Buring, J. E. & Ridker, P. M. C-reactive protein, interleukin 6, and risk of developing type 2 diabetes mellitus. *JAMA* **286**, 327-334 (2001).
- 47 Danesh, J. *et al.* Long-term interleukin-6 levels and subsequent risk of coronary heart disease: two new prospective studies and a systematic review. *PLoS Med.* **5**, e78 (2008).
- 48 Ji, R.-R., Chamessian, A. & Zhang, Y.-Q. Pain regulation by non-neuronal cells and inflammation. *Science* **354**, 572-577, doi:10.1126/science.aaf8924 (2016).
- 49 Kappelmann, N., Lewis, G., Dantzer, R., Jones, P. B. & Khandaker, G. M. Antidepressant activity of anti-cytokine treatment: a systematic review and meta-analysis of clinical trials of chronic inflammatory conditions. *Mol. Psychiatry* **23**, 335-343 (2018).
- 50 Cole, S. W. *et al.* Loneliness, eudaimonia, and the human conserved transcriptional response to adversity. *Psychoneuroendocrinology* **62**, 11-17 (2015).
- 51 Cole, S. W. Human social genomics. *PLoS Genet.* **10**, e1004601, doi:10.1371/journal.pgen.1004601 (2014).
- 52 Pariante, C. M. Why are depressed patients inflamed? A reflection on 20 years of research on depression, glucocorticoid resistance and inflammation. *Eur. Neuropsychopharmacol.* **27**, 554-559 (2017).
- 53 Tracey, K. J. Reflex control of immunity. *Nat. Rev. Immunol.* **9**, 418-428, doi:10.1038/nri2566 (2009).
- 54 Ben-Shaanan, T. L. *et al.* Activation of the reward system boosts innate and adaptive immunity. *Nat. Med.* **22**, 940-944 (2016).
- 55 Kirschbaum, C., Pirke, K. M. & Hellhammer, D. H. The 'Trier Social Stress Test'--a tool for investigating psychobiological stress responses in a laboratory setting. *Neuropsychobiology* **28**, 76-81 (1993).
- 56 Marsland, A. L., Walsh, C., Lockwood, K. & John-Henderson, N. A. The effects of acute psychological stress on circulating and stimulated inflammatory markers: A systematic review and meta-analysis. *Brain Behav. Immun.* **64**, 208-219 (2017).
- 57 Spicer, J. *et al.* Prevention of stress-provoked endothelial injury by values affirmation: A proof of principle study. *Ann. Behav. Med.* **50**, 471-479 (2015).
- 58 Rozanski, A. Behavioral cardiology: current advances and future directions. *J. Am. Coll. Cardiol.* **64**, 100-110 (2014).
- 59 Jiang, W. *et al.* Mental Stress—Induced Myocardial Ischemia and Cardiac Events. *JAMA* **275**, 1651-1656 (1996).
- 60 Cacioppo, J. T. *et al.* Loneliness and health: Potential mechanisms. *Psychosom. Med.* **64**, 407-417 (2002).
- 61 Wampold, B. E. How important are the common factors in psychotherapy? An update. *World Psychiatry* **14**, 270-277 (2015).
- 62 Benedetti, F. Placebo effects: from the neurobiological paradigm to translational implications. *Neuron* **84**, 623-637 (2014).

- 63 Enck, P., Bingel, U., Schedlowski, M. & Rief, W. The placebo response in medicine: minimize, maximize or personalize? *Nat. Rev. Drug Discov.* **12**, 191-204 (2013).
- 64 Ashar, Y. K., Chang, L. J. & Wager, T. D. Brain Mechanisms of the Placebo Effect: An Affective Appraisal Account. *Annu. Rev. Clin. Psychol.* **13**, 73-98 (2017).
- 65 Wager, T. D., Scott, D. J. & Zubieta, J. K. Placebo effects on human μ -opioid activity during pain. *Proceedings of the National Academy of Sciences of the United States of America* **104**, 11056-11061 (2007).
- 66 Kirsch, I. Placebo Effect in the Treatment of Depression and Anxiety. *Front. Psychiatry* **10**, 407 (2019).
- 67 Zahrt, O. H. & Crum, A. J. Perceived physical activity and mortality: Evidence from three nationally representative U.S. samples. *Health Psychol.* **36**, 1017-1025 (2017).
- 68 Schoenbaum, G., Roesch, M. R., Stalnaker, T. A. & Takahashi, Y. K. A new perspective on the role of the orbitofrontal cortex in adaptive behaviour. *Nat. Rev. Neurosci.* **10**, 885-892 (2009).
- 69 Crum, A. J., Leibowitz, K. A. & Verghese, A. Making mindset matter. *BMJ* **356**, j674 (2017).
- 70 Lissek, S. *et al.* Neural substrates of classically conditioned fear-generalization in humans: a parametric fMRI study. *Soc. Cogn. Affect. Neurosci.* **9**, 1134-1142 (2014).
- 71 Koban, L., Kusko, D. & Wager, T. D. Generalization of learned pain modulation depends on explicit learning. *Acta Psychol.* **184**, 75-84 (2018).
- 72 Wilson, R. C., Takahashi, Y. K., Schoenbaum, G. & Niv, Y. Orbitofrontal cortex as a cognitive map of task space. *Neuron* **81**, 267-279 (2014).
- 73 Hutchinson, J. B. & Barrett, L. F. The Power of Predictions: An Emerging Paradigm for Psychological Research. *Curr. Dir. Psychol. Sci.* **28**, 280-291 (2019).
- 74 Lazarus, R. S. & Folkman, S. *Stress, Appraisal, and Coping.* (Springer Publishing Company, 1984).
- 75 Summerfield, C. & de Lange, F. P. Expectation in perceptual decision making: neural and computational mechanisms. *Nat. Rev. Neurosci.* **15**, 745-756 (2014).
- 76 Rao, R. P. & Ballard, D. H. Predictive coding in the visual cortex: a functional interpretation of some extra-classical receptive-field effects. *Nat. Neurosci.* **2**, 79-87, doi:10.1038/4580 (1999).
- 77 Barrett, L. F., Quigley, K. S. & Hamilton, P. An active inference theory of allostasis and interoception in depression. *Philos. Trans. R. Soc. Lond. B Biol. Sci.* **371** (2016).
- 78 Büchel, C., Geuter, S., Sprenger, C. & Eippert, F. Placebo analgesia: a predictive coding perspective. *Neuron* **81**, 1223-1239 (2014).
- 79 Sterling, P. Allostasis: a model of predictive regulation. *Physiol. Behav.* **106**, 5-15 (2012).
- 80 Tamir, D. I. & Thornton, M. A. Modeling the Predictive Social Mind. *Trends Cogn. Sci.* **22**, 201-212 (2018).
- 81 Koban, L., Ramamoorthy, A. & Konvalinka, I. Why do we fall into sync with others? Interpersonal synchronization and the brain's optimization principle. *Soc. Neurosci.*, 1-9 (2017).
- 82 van Heukelum, S. *et al.* Where is Cingulate Cortex? A Cross-Species View. *Trends Neurosci.* **43**, 285-299, doi:10.1016/j.tins.2020.03.007 (2020).
- 83 Dum, R. P., Levinthal, D. J. & Strick, P. L. The mind-body problem: Circuits that link the cerebral cortex to the adrenal medulla. *Proc. Natl. Acad. Sci. U. S. A.* **116**, 26321-26328, doi:10.1073/pnas.1902297116 (2019).

- 84 Price, J. L. Definition of the orbital cortex in relation to specific connections with limbic and visceral structures and other cortical regions. *Ann. N. Y. Acad. Sci.* **1121**, 54-71 (2007).
- 85 Saper, C. B. The central autonomic nervous system: conscious visceral perception and autonomic pattern generation. *Annu. Rev. Neurosci.* **25**, 433-469 (2002).
- 86 Yeo, B. T. T. *et al.* The organization of the human cerebral cortex estimated by intrinsic functional connectivity. *J. Neurophysiol.* **106**, 1125-1165 (2011).
- 87 Eisenbarth, H., Chang, L. J. & Wager, T. D. Multivariate Brain Prediction of Heart Rate and Skin Conductance Responses to Social Threat. *J. Neurosci.* **36**, 11987-11998 (2016).
- 88 Schaefer, A. *et al.* Local-Global Parcellation of the Human Cerebral Cortex from Intrinsic Functional Connectivity MRI. *Cereb. Cortex* **28**, 3095-3114 (2018).
- 89 Andrews-Hanna, J. R., Reidler, J. S., Sepulcre, J., Poulin, R. & Buckner, R. L. Functional-anatomic fractionation of the brain's default network. *Neuron* **65**, 550-562 (2010).
- 90 Christoff, K., Irving, Z. C., Fox, K. C. R., Spreng, R. N. & Andrews-Hanna, J. R. Mind-wandering as spontaneous thought: a dynamic framework. *Nat. Rev. Neurosci.* **17**, 718-731 (2016).
- 91 Hunt, L. T. *et al.* Triple dissociation of attention and decision computations across prefrontal cortex. *Nat. Neurosci.* **21**, 1471-1481 (2018).
- 92 Barbas, H. General cortical and special prefrontal connections: principles from structure to function. *Annu. Rev. Neurosci.* **38**, 269-289, doi:10.1146/annurev-neuro-071714-033936 (2015).
- 93 Margulies, D. S. *et al.* Situating the default-mode network along a principal gradient of macroscale cortical organization. *Proc. Natl. Acad. Sci. U. S. A.* **113**, 12574-12579 (2016).
- 94 Raichle, M. E. *et al.* A default mode of brain function. *Proceedings of the National Academy of Sciences of the United States of America* **98**, 676-682 (2001).
- 95 Fox, K. C. R., Spreng, R. N., Ellamil, M., Andrews-Hanna, J. R. & Christoff, K. The wandering brain: meta-analysis of functional neuroimaging studies of mind-wandering and related spontaneous thought processes. *Neuroimage* **111**, 611-621 (2015).
- 96 Mason, M. F. *et al.* Wandering minds: the default network and stimulus-independent thought. *Science* **315**, 393-395 (2007).
- 97 Spreng, R. N., Mar, R. A. & Kim, A. S. N. The common neural basis of autobiographical memory, prospection, navigation, theory of mind, and the default mode: a quantitative meta-analysis. *J Cogn Neurosci* **21**, 489-510 (2009).
- 98 Cabeza, R. & St Jacques, P. Functional neuroimaging of autobiographical memory. *Trends Cogn. Sci.* **11**, 219-227 (2007).
- 99 Binder, J. R., Desai, R. H., Graves, W. W. & Conant, L. L. Where is the semantic system? A critical review and meta-analysis of 120 functional neuroimaging studies. *Cereb. Cortex* **19**, 2767-2796 (2009).
- 100 Benoit, R. G., Szpunar, K. K. & Schacter, D. L. Ventromedial prefrontal cortex supports affective future simulation by integrating distributed knowledge. *Proc. Natl. Acad. Sci. U. S. A.* **111**, 16550-16555 (2014).
- 101 Schacter, D. L., Addis, D. R. & Buckner, R. L. Remembering the past to imagine the future: the prospective brain. *Nat. Rev. Neurosci.* **8**, 657-661 (2007).
- 102 Bertossi, E., Aleo, F., Braghittoni, D. & Ciaramelli, E. Stuck in the here and now: Construction of fictitious and future experiences following ventromedial prefrontal damage. *Neuropsychologia* **81**, 107-116 (2016).

- 103 Baldassano, C., Hasson, U. & Norman, K. A. Representation of Real-World Event Schemas during Narrative Perception. *J. Neurosci.* **38**, 9689-9699 (2018).
- 104 Honey, C. J. *et al.* Slow cortical dynamics and the accumulation of information over long timescales. *Neuron* **76**, 423-434 (2012).
- 105 Jain, S. & Huth, A. in *Advances in Neural Information Processing Systems 31* (eds S. Bengio *et al.*) 6628-6637 (Curran Associates, Inc., 2018).
- 106 Milivojevic, B., Vicente-Grabovetsky, A. & Doeller, C. F. Insight reconfigures hippocampal-prefrontal memories. *Curr. Biol.* **25**, 821-830 (2015).
- 107 Gabora, L., Rosch, E. & Aerts, D. Toward an Ecological Theory of Concepts. *Ecol. Psychol.* **20**, 84-116 (2008).
- 108 Doeller, C. F., Barry, C. & Burgess, N. Evidence for grid cells in a human memory network. *Nature* **463**, 657-661 (2010).
- 109 Viganò, S. & Piazza, M. Distance and direction codes underlie navigation of a novel semantic space in the human brain. *J. Neurosci.* (2020).
- 110 Tavares, R. M. *et al.* A Map for Social Navigation in the Human Brain. *Neuron* **87**, 231-243 (2015).
- 111 Bradfield, L. A., Dezfooli, A., van Holstein, M., Chieng, B. & Balleine, B. W. Medial Orbitofrontal Cortex Mediates Outcome Retrieval in Partially Observable Task Situations. *Neuron* **88**, 1268-1280 (2015).
- 112 Burke, K. A., Franz, T. M., Miller, D. N. & Schoenbaum, G. The role of the orbitofrontal cortex in the pursuit of happiness and more specific rewards. *Nature* **454**, 340-344 (2008).
- 113 Coricelli, G. *et al.* Regret and its avoidance: a neuroimaging study of choice behavior. *Nat. Neurosci.* **8**, 1255-1262 (2005).
- 114 Camille, N. *et al.* The Involvement of the Orbitofrontal Cortex in the Experience of Regret. *Science* **304** (2004).
- 115 Northoff, G. *et al.* Self-referential processing in our brain—A meta-analysis of imaging studies on the self. *Neuroimage* **31**, 440-457 (2006).
- 116 Denny, B. T., Kober, H., Wager, T. D. & Ochsner, K. N. A meta-analysis of functional neuroimaging studies of self- and other judgments reveals a spatial gradient for mentalizing in medial prefrontal cortex. *J. Cogn. Neurosci.* **24**, 1742-1752 (2012).
- 117 Blanke, O. Multisensory brain mechanisms of bodily self-consciousness. *Nat. Rev. Neurosci.* **13**, 556-571 (2012).
- 118 Ochsner, K. N. *et al.* Reflecting upon feelings: an fMRI study of neural systems supporting the attribution of emotion to self and other. *J. Cogn. Neurosci.* **16**, 1746-1772 (2004).
- 119 Lockwood, P. L. *et al.* Neural mechanisms for learning self and other ownership. *Nat. Commun.* **9**, 4747, doi:10.1038/s41467-018-07231-9 (2018).
- 120 Farb, N. A. S. *et al.* Attending to the present: mindfulness meditation reveals distinct neural modes of self-reference. *Soc. Cogn. Affect. Neurosci.* **2**, 313-322 (2007).
- 121 Chavez, R. S. & Heatherton, T. F. Multimodal frontostriatal connectivity underlies individual differences in self-esteem. *Soc. Cogn. Affect. Neurosci.* **10**, 364-370 (2015).
- 122 Amodio, D. M. & Frith, C. D. Meeting of minds: the medial frontal cortex and social cognition. *Nat. Rev. Neurosci.* **7**, 268-277 (2006).
- 123 Lombardo, M. V. *et al.* Shared Neural Circuits for Mentalizing about the Self and Others. *J. Cogn. Neurosci.* **22**, 1623-1635 (2009).
- 124 Tamir, D. I. & Mitchell, J. P. Neural correlates of anchoring-and-adjustment during mentalizing. *Proc. Natl. Acad. Sci. U. S. A.* **107**, 10827-10832 (2010).
- 125 Krienen, F. M., Tu, P.-C. & Buckner, R. L. Clan mentality: evidence that the medial prefrontal cortex responds to close others. *J. Neurosci.* **30**, 13906-13915 (2010).

- 126 Kable, J. W. & Glimcher, P. W. The neural correlates of subjective value during intertemporal choice. *Nat. Neurosci.* **10**, 1625-1633, doi:10.1038/nn2007 (2007).
- 127 Nicolle, A. *et al.* An agent independent axis for executed and modeled choice in medial prefrontal cortex. *Neuron* **75**, 1114-1121, doi:10.1016/j.neuron.2012.07.023 (2012).
- 128 Parkinson, C., Kleinbaum, A. M. & Wheatley, T. Spontaneous neural encoding of social network position. *Nature Human Behaviour* **1**, 0072 (2017).
- 129 Morelli, S. A., Leong, Y. C., Carlson, R. W., Kullar, M. & Zaki, J. Neural detection of socially valued community members. *PNAS* **115**, 8149-8154 (2018).
- 130 Ashar, Y. K., Andrews-Hanna, J. R., Dimidjian, S. & Wager, T. D. Empathic Care and Distress: Predictive Brain Markers and Dissociable Brain Systems. *Neuron* **94**, 1263-1273 e1264 (2017).
- 131 Shamay-Tsoory, S. G. & Aharon-Peretz, J. Dissociable prefrontal networks for cognitive and affective theory of mind: a lesion study. *Neuropsychologia* **45**, 3054-3067 (2007).
- 132 Anderson, S. W., Barrash, J., Bechara, A. & Tranel, D. Impairments of emotion and real-world complex behavior following childhood- or adult-onset damage to ventromedial prefrontal cortex. *J. Int. Neuropsychol. Soc.* **12**, 224-235, doi:10.1017/S1355617706060346 (2006).
- 133 Ermer, E., Cope, L. M., Nyalakanti, P. K., Calhoun, V. D. & Kiehl, K. A. Aberrant paralimbic gray matter in criminal psychopathy. *J. Abnorm. Psychol.* **121**, 649-658 (2012).
- 134 Levy, D. J. & Glimcher, P. W. The root of all value: a neural common currency for choice. *Current Opinion in Neurobiology* **22**, 1027-1038 (2012).
- 135 Plassmann, H., O'Doherty, J., Shiv, B. & Rangel, A. Marketing actions can modulate neural representations of experienced pleasantness. *Proc. Natl. Acad. Sci. U. S. A.* **105**, 1050-1054 (2008).
- 136 Hare, T. A., Camerer, C. F. & Rangel, A. Self-control in decision-making involves modulation of the vmPFC valuation system. *Science* **324**, 646-648 (2009).
- 137 Hutcherson, C. A., Plassmann, H., Gross, J. J. & Rangel, A. Cognitive regulation during decision making shifts behavioral control between ventromedial and dorsolateral prefrontal value systems. *The Journal of Neuroscience: The Official Journal of the Society for Neuroscience* **32**, 13543-13554 (2012).
- 138 Lindquist, K. A., Wager, T. D., Kober, H., Bliss-Moreau, E. & Barrett, L. F. The brain basis of emotion: a meta-analytic review. *Behav. Brain Sci.* **35**, 121-143 (2012).
- 139 Etkin, A., Egner, T. & Kalisch, R. Emotional processing in anterior cingulate and medial prefrontal cortex. *Trends Cogn. Sci.* **15**, 85-93 (2011).
- 140 Satpute, A. B. & Lindquist, K. A. The Default Mode Network's Role in Discrete Emotion. *Trends Cogn. Sci.* **23**, 851-864 (2019).
- 141 Kringelbach, M. L., O'Doherty, J., Rolls, E. T. & Andrews, C. Activation of the human orbitofrontal cortex to a liquid food stimulus is correlated with its subjective pleasantness. *Cereb. Cortex* **13**, 1064-1071 (2003).
- 142 Hartley, C. A. & Phelps, E. A. Changing fear: the neurocircuitry of emotion regulation. *Neuropsychopharmacology* **35**, 136-146 (2010).
- 143 Roy, M., Shohamy, D. & Wager, T. D. Ventromedial prefrontal-subcortical systems and the generation of affective meaning. *Trends in Cognitive Sciences* **16**, 147-156 (2012).
- 144 Benoit, R. G., Paulus, P. C. & Schacter, D. L. Forming attitudes via neural activity supporting affective episodic simulations. *Nat. Commun.* **10**, 2215 (2019).

- 145 Stolier, R. M. & Freeman, J. B. Neural pattern similarity reveals the inherent
intersection of social categories. *Nat. Neurosci.* **19**, 795-797 (2016).
- 146 Losin, E. A. R. *et al.* Neural and sociocultural mediators of ethnic differences in
pain. *Nat Hum Behav* (2020).
- 147 Eldar, E., Rutledge, R. B., Dolan, R. J. & Niv, Y. Mood as Representation of
Momentum. *Trends Cogn. Sci.* **20**, 15-24, doi:10.1016/j.tics.2015.07.010
(2016).
- 148 Koban, L. *et al.* Social anxiety is characterized by biased learning about
performance and the self. *Emotion* **17**, 1144-1155 (2017).
- 149 Morrison, S. E. & Salzman, C. D. The convergence of information about
rewarding and aversive stimuli in single neurons. *J. Neurosci.* **29**, 11471-
11483, doi:10.1523/JNEUROSCI.1815-09.2009 (2009).
- 150 Milad, M. R. & Quirk, G. J. Neurons in medial prefrontal cortex signal memory
for fear extinction. *Nature* **420**, 70-74 (2002).
- 151 Amat, J. *et al.* Medial prefrontal cortex determines how stressor controllability
affects behavior and dorsal raphe nucleus. *Nat. Neurosci.* **8**, 365-371 (2005).
- 152 Murray, E. A. & Rudebeck, P. H. Specializations for reward-guided decision-
making in the primate ventral prefrontal cortex. *Nature Reviews Neuroscience*
19, 404-417 (2018).
- 153 Kim, H. F. & Hikosaka, O. Distinct basal ganglia circuits controlling behaviors
guided by flexible and stable values. *Neuron* **79**, 1001-1010 (2013).
- 154 Damasio, A. R., Tranel, D. & Damasio, H. Individuals with sociopathic behavior
caused by frontal damage fail to respond autonomically to social stimuli. *Behav.*
Brain Res. **41**, 81-94 (1990).
- 155 Beer, J. S., John, O. P., Scabini, D. & Knight, R. T. Orbitofrontal cortex and
social behavior: integrating self-monitoring and emotion-cognition interactions.
J. Cogn. Neurosci. **18**, 871-879 (2006).
- 156 Milad, M. R. *et al.* Recall of fear extinction in humans activates the ventromedial
prefrontal cortex and hippocampus in concert. *Biol. Psychiatry* **62**, 446-454
(2007).
- 157 Schiller, D., Levy, I., Niv, Y., LeDoux, J. E. & Phelps, E. A. From fear to safety
and back: reversal of fear in the human brain. *J. Neurosci.* **28**, 11517-11525
(2008).
- 158 Tinnermann, A., Geuter, S., Sprenger, C., Finsterbusch, J. & Büchel, C.
Interactions between brain and spinal cord mediate value effects in nocebo
hyperalgesia. *Science* **358**, 105-108 (2017).
- 159 Howard, J. D. & Kahnt, T. Identity-Specific Reward Representations in
Orbitofrontal Cortex Are Modulated by Selective Devaluation. *J. Neurosci.* **37**,
2627-2638 (2017).
- 160 Nook, E. C. & Zaki, J. Social norms shift behavioral and neural responses to
foods. *J Cogn Neurosci* **27**, 1412-1426 (2015).
- 161 Zaki, J., Schirmer, J. & Mitchell, J. P. Social influence modulates the neural
computation of value. *Psychol Sci* **22**, 894-900 (2011).
- 162 Harris, L. T. & Fiske, S. T. Dehumanizing the lowest of the low: neuroimaging
responses to extreme out-groups. *Psychol. Sci.* **17**, 847-853 (2006).
- 163 Schmidt, L. *et al.* Neuroanatomy of the vmPFC and dlPFC predicts individual
differences in cognitive regulation during dietary self-control across regulation
strategies. *J. Neurosci.*, 3402-3417 (2018).
- 164 Maier, S. U., Makwana, A. B. & Hare, T. A. Acute Stress Impairs Self-Control
in Goal-Directed Choice by Altering Multiple Functional Connections within the
Brain's Decision Circuits. *Neuron* **87**, 621-631 (2015).
- 165 Kober, H. *et al.* Prefrontal-striatal pathway underlies cognitive regulation of
craving. *Proc. Natl. Acad. Sci. U. S. A.* **107**, 14811-14816 (2010).

- 166 Peters, J. & Büchel, C. Episodic future thinking reduces reward delay discounting through an enhancement of prefrontal-mediotemporal interactions. *Neuron* **66**, 138-148 (2010).
- 167 Lempert, K. M., Speer, M. E., Delgado, M. R. & Phelps, E. A. Positive autobiographical memory retrieval reduces temporal discounting. *Soc. Cogn. Affect. Neurosci.* **12**, 1584-1593 (2017).
- 168 Woo, C. W., Roy, M., Buhle, J. T. & Wager, T. D. Distinct brain systems mediate the effects of nociceptive input and self-regulation on pain. *PLoS Biol* **13**, e1002036 (2015).
- 169 Wager, T. D., Davidson, M. L., Hughes, B. L., Lindquist, M. A. & Ochsner, K. N. Prefrontal-subcortical pathways mediating successful emotion regulation. *Neuron* **59**, 1037-1050 (2008).
- 170 Falk, E. B. *et al.* Functional brain imaging predicts public health campaign success. *Soc. Cogn. Affect. Neurosci.* **11**, 204-214 (2016).
- 171 Berkman, E. T. & Falk, E. B. Beyond Brain Mapping: Using Neural Measures to Predict Real-World Outcomes. *Curr. Dir. Psychol. Sci.* **22**, 45-50 (2013).
- 172 McEwen, B. S. *et al.* The role of adrenocorticoids as modulators of immune function in health and disease: neural, endocrine and immune interactions. *Brain Res. Brain Res. Rev.* **23**, 79-133 (1997).
- 173 McEwen, B. S. & Gianaros, P. J. Central role of the brain in stress and adaptation: links to socioeconomic status, health, and disease. *Ann. N. Y. Acad. Sci.* **1186**, 190-222 (2010).
- 174 Crum, A. J., Salovey, P. & Achor, S. Rethinking stress: the role of mindsets in determining the stress response. *J. Pers. Soc. Psychol.* **104**, 716-733 (2013).
- 175 Levy, B. R. & Myers, L. M. Preventive health behaviors influenced by self-perceptions of aging. *Prev. Med.* **39**, 625-629 (2004).
- 176 Levy, B. R., Slade, M. D., Kunkel, S. R. & Kasl, S. V. Longevity increased by positive self-perceptions of aging. *J. Pers. Soc. Psychol.* **83**, 261-270 (2002).
- 177 Hughes, K. *et al.* The effect of multiple adverse childhood experiences on health: a systematic review and meta-analysis. *Lancet Public Health* **2**, e356-e366 (2017).
- 178 Williams, D. R., Neighbors, H. W. & Jackson, J. S. Racial/ethnic discrimination and health: findings from community studies. *Am. J. Public Health* **98**, S29-37 (2008).
- 179 Beissner, F., Meissner, K., Bär, K.-J. & Napadow, V. The autonomic brain: an activation likelihood estimation meta-analysis for central processing of autonomic function. *J. Neurosci.* **33**, 10503-10511 (2013).
- 180 Reichlin, S. Neuroendocrine-immune interactions. *N. Engl. J. Med.* **329**, 1246-1253 (1993).
- 181 Gianaros, P. J. *et al.* A Brain Phenotype for Stressor-Evoked Blood Pressure Reactivity. *J. Am. Heart Assoc.* **6** (2017).
- 182 Bandler, R., Keay, K. A., Floyd, N. & Price, J. Central circuits mediating patterned autonomic activity during active vs. passive emotional coping. *Brain Res. Bull.* **53**, 95-104 (2000).
- 183 Price, J. L. & Drevets, W. C. Neurocircuitry of mood disorders. *Neuropsychopharmacology* **35**, 192-216 (2010).
- 184 Tracey, K. J. The inflammatory reflex. *Nature* **420**, 853-859 (2002).
- 185 Sha, Z., Wager, T. D., Mechelli, A. & He, Y. Common Dysfunction of Large-Scale Neurocognitive Networks Across Psychiatric Disorders. *Biol. Psychiatry* **85**, 379-388 (2019).
- 186 Goodkind, M. *et al.* Identification of a common neurobiological substrate for mental illness. *JAMA Psychiatry* **72**, 305-315 (2015).
- 187 Smallwood, R. F. *et al.* Structural brain anomalies and chronic pain: a quantitative meta-analysis of gray matter volume. *The Journal of Pain* **14**, 663-675 (2013).

- 188 Thompson, J. M. & Neugebauer, V. Cortico-limbic pain mechanisms. *Neurosci. Lett.* **702**, 15-23 (2019).
- 189 Turnwald, B. P. *et al.* Learning one's genetic risk changes physiology independent of actual genetic risk. *Nature human behaviour* **3**, 48 (2019).
- 190 Crum, A. J., Akinola, M., Martin, A. & Fath, S. The role of stress mindset in shaping cognitive, emotional, and physiological responses to challenging and threatening stress. *Anxiety Stress Coping* **30**, 379-395 (2017).
- 191 Keller, A. *et al.* Does the perception that stress affects health matter? The association with health and mortality. *Health Psychol.* **31**, 677-684 (2012).
- 192 Bhanji, J. P. & Beer, J. S. Taking a different perspective: mindset influences neural regions that represent value and choice. *Soc. Cogn. Affect. Neurosci.* **7**, 782-793 (2012).
- 193 Hege, M. A. *et al.* Eating less or more - Mindset induced changes in neural correlates of pre-meal planning. *Appetite* **125**, 492-501 (2018).
- 194 Koban, L., Jepma, M., López-Solà, M. & Wager, T. D. Different brain networks mediate the effects of social and conditioned expectations on pain. *Nat. Commun.* **10**, 1-13 (2019).
- 195 Koban, L. & Wager, T. D. Beyond conformity: Social influences on pain reports and physiology. *Emotion* **16**, 24-32 (2016).
- 196 López-Solà, M., Geuter, S., Koban, L., Coan, J. A. & Wager, T. D. Brain mechanisms of social touch-induced analgesia in females. *PAIN* **160**, 2072-2085 (2019).
- 197 López-Solà, M., Koban, L. & Wager, T. D. Transforming Pain With Prosocial Meaning: A Functional Magnetic Resonance Imaging Study. *Psychosom. Med.* **80**, 814-825 (2018).
- 198 Kober, H., Buhle, J., Weber, J., Ochsner, K. N. & Wager, T. D. Let it be: Mindful-acceptance down-regulates pain and negative emotion. *Soc. Cogn. Affect. Neurosci.* (2020).
- 199 Zeidan, F. *et al.* Mindfulness Meditation-Based Pain Relief Employs Different Neural Mechanisms Than Placebo and Sham Mindfulness Meditation-Induced Analgesia. *J. Neurosci.* **35**, 15307-15325 (2015).
- 200 Zunhammer, M., Bingel, U., Wager, T. D. & Placebo Imaging, C. Placebo Effects on the Neurologic Pain Signature: A Meta-analysis of Individual Participant Functional Magnetic Resonance Imaging Data. *JAMA Neurol.* **75**, 1321-1330 (2018).
- 201 Jepma, M., Koban, L., van Doorn, J., Jones, M. & Wager, T. D. Behavioural and neural evidence for self-reinforcing expectancy effects on pain. *Nature Human Behaviour* **2**, 838-855 (2018).
- 202 Barsaglini, A., Sartori, G., Benetti, S., Pettersson-Yeo, W. & Mechelli, A. The effects of psychotherapy on brain function: a systematic and critical review. *Prog. Neurobiol.* **114**, 1-14 (2014).
- 203 Quidé, Y., Witteveen, A. B., El-Hage, W., Veltman, D. J. & Olf, M. Differences between effects of psychological versus pharmacological treatments on functional and morphological brain alterations in anxiety disorders and major depressive disorder: A systematic review. *Neuroscience & Biobehavioral Reviews* **36**, 626-644 (2012).
- 204 Pollo, A., Carlino, E. & Benedetti, F. Placebo mechanisms across different conditions: from the clinical setting to physical performance. *Philos T R Soc B* **366**, 1790-1798 (2011).
- 205 Antoni, M. H. Psychosocial intervention effects on adaptation, disease course and biobehavioral processes in cancer. *Brain Behav. Immun.* **30 Suppl**, S88-98 (2013).
- 206 Kroenke, C. H., Kubzansky, L. D., Schernhammer, E. S., Holmes, M. D. & Kawachi, I. Social networks, social support, and survival after breast cancer diagnosis. *J. Clin. Oncol.* **24**, 1105-1111 (2006).

- 207 Mirosevic, S. *et al.* "Not just another meta-analysis": Sources of heterogeneity in psychosocial treatment effect on cancer survival. *Cancer Med.* **8**, 363-373 (2019).
- 208 Lutgendorf, S. K. & Sood, A. K. Biobehavioral factors and cancer progression: physiological pathways and mechanisms. *Psychosom. Med.* **73**, 724-730 (2011).
- 209 Fawzy, F. I., Canada, A. L. & Fawzy, N. W. Malignant melanoma: effects of a brief, structured psychiatric intervention on survival and recurrence at 10-year follow-up. *Arch. Gen. Psychiatry* **60**, 100-103 (2003).
- 210 Andersen, B. L. *et al.* Biobehavioral, immune, and health benefits following recurrence for psychological intervention participants. *Clin. Cancer Res.* **16**, 3270-3278 (2010).
- 211 Chida, Y. & Steptoe, A. The association of anger and hostility with future coronary heart disease: a meta-analytic review of prospective evidence. *J. Am. Coll. Cardiol.* **53**, 936-946 (2009).
- 212 Miller, T. Q., Smith, T. W., Turner, C. W., Guijarro, M. L. & Hallet, A. J. A meta-analytic review of research on hostility and physical health. *Psychol. Bull.* **119**, 322-348 (1996).
- 213 Rozanski, A., Blumenthal, J. A. & Kaplan, J. Impact of psychological factors on the pathogenesis of cardiovascular disease and implications for therapy. *Circulation* **99**, 2192-2217 (1999).
- 214 Suls, J. & Bunde, J. Anger, anxiety, and depression as risk factors for cardiovascular disease: the problems and implications of overlapping affective dispositions. *Psychol. Bull.* **131**, 260-300 (2005).
- 215 Matthews, K. A. Psychological perspectives on the development of coronary heart disease. *Am. Psychol.* **60**, 783-796 (2005).
- 216 Stetler, C. & Miller, G. E. Depression and hypothalamic-pituitary-adrenal activation: a quantitative summary of four decades of research. *Psychosom. Med.* **73**, 114-126 (2011).
- 217 Rotella, F. & Mannucci, E. Depression as a risk factor for diabetes: a meta-analysis of longitudinal studies. *J. Clin. Psychiatry* **74**, 31-37 (2013).
- 218 Nicholson, A., Kuper, H. & Hemingway, H. Depression as an aetiologic and prognostic factor in coronary heart disease: a meta-analysis of 6362 events among 146 538 participants in 54 observational studies. *Eur. Heart J.* **27**, 2763-2774 (2006).
- 219 van Melle, J. P. *et al.* Prognostic association of depression following myocardial infarction with mortality and cardiovascular events: a meta-analysis. *Psychosom. Med.* **66**, 814-822 (2004).
- 220 Everson-Rose, S. A. & Lewis, T. T. Psychosocial factors and cardiovascular diseases. *Annu. Rev. Public Health* **26**, 469-500 (2005).
- 221 Kawachi, I. *et al.* Prospective study of phobic anxiety and risk of coronary heart disease in men. *Circulation* **89**, 1992-1997 (1994).
- 222 Roest, A. M., Martens, E. J., de Jonge, P. & Denollet, J. Anxiety and risk of incident coronary heart disease: a meta-analysis. *J. Am. Coll. Cardiol.* **56**, 38-46 (2010).
- 223 Thurston, R. C., Rewak, M. & Kubzansky, L. D. An anxious heart: anxiety and the onset of cardiovascular diseases. *Prog. Cardiovasc. Dis.* **55**, 524-537 (2013).
- 224 Cohen, S. *et al.* Chronic stress, glucocorticoid receptor resistance, inflammation, and disease risk. *Proc. Natl. Acad. Sci. U. S. A.* **109**, 5995-5999 (2012).
- 225 Segerstrom, S. C. & Miller, G. E. Psychological stress and the human immune system: a meta-analytic study of 30 years of inquiry. *Psychol. Bull.* **130**, 601-630 (2004).

- 226 Steptoe, A. & Kivimäki, M. Stress and cardiovascular disease: an update on current knowledge. *Annu. Rev. Public Health* **34**, 337-354 (2013).
- 227 Chida, Y. & Steptoe, A. Positive psychological well-being and mortality: a quantitative review of prospective observational studies. *Psychosom. Med.* **70**, 741-756 (2008).
- 228 Ostir, G. V., Markides, K. S., Peek, M. K. & Goodwin, J. S. The association between emotional well-being and the incidence of stroke in older adults. *Psychosom. Med.* **63**, 210-215 (2001).
- 229 Cohen, S., Alper, C. M., Doyle, W. J., Treanor, J. J. & Turner, R. B. Positive emotional style predicts resistance to illness after experimental exposure to rhinovirus or influenza A virus. *Psychosom. Med.* **68**, 809-815 (2006).
- 230 Steptoe, A., Wardle, J. & Marmot, M. Positive affect and health-related neuroendocrine, cardiovascular, and inflammatory processes. *Proc. Natl. Acad. Sci. U. S. A.* **102**, 6508-6512 (2005).
- 231 Holt-Lunstad, J., Smith, T. B. & Layton, J. B. Social relationships and mortality risk: a meta-analytic review. *PLoS Med.* **7**, e1000316 (2010).
- 232 Berkman, L. F., Leo-Summers, L. & Horwitz, R. I. Emotional support and survival after myocardial infarction. A prospective, population-based study of the elderly. *Ann. Intern. Med.* **117**, 1003-1009 (1992).
- 233 Falagas, M. E. *et al.* The effect of psychosocial factors on breast cancer outcome: a systematic review. *Breast Cancer Res.* **9**, R44 (2007).
- 234 Cohen, S., Doyle, W. J., Skoner, D. P., Rabin, B. S. & Gwaltney, J. M., Jr. Social ties and susceptibility to the common cold. *JAMA* **277**, 1940-1944 (1997).
- 235 Heffner, K. L., Waring, M. E., Roberts, M. B., Eaton, C. B. & Gramling, R. Social isolation, C-reactive protein, and coronary heart disease mortality among community-dwelling adults. *Soc. Sci. Med.* **72**, 1482-1488 (2011).
- 236 House, J. S., Robbins, C. & Metzner, H. L. The association of social relationships and activities with mortality: prospective evidence from the Tecumseh Community Health Study. *Am. J. Epidemiol.* **116**, 123-140 (1982).
- 237 Beasley, J. M. *et al.* Social networks and survival after breast cancer diagnosis. *J. Cancer Surviv.* **4**, 372-380 (2010).
- 238 Fratiglioni, L., Paillard-Borg, S. & Winblad, B. An active and socially integrated lifestyle in late life might protect against dementia. *Lancet Neurol.* **3**, 343-353 (2004).
- 239 Rutledge, T. *et al.* Social networks and incident stroke among women with suspected myocardial ischemia. *Psychosom. Med.* **70**, 282-287 (2008).
- 240 Chida, Y. & Steptoe, A. Greater cardiovascular responses to laboratory mental stress are associated with poor subsequent cardiovascular risk status: a meta-analysis of prospective evidence. *Hypertension* **55**, 1026-1032 (2010).
- 241 Sheps, D. S. *et al.* Mental stress-induced ischemia and all-cause mortality in patients with coronary artery disease: Results from the Psychophysiological Investigations of Myocardial Ischemia study. *Circulation* **105**, 1780-1784 (2002).
- 242 Hamer, M. & Steptoe, A. Cortisol responses to mental stress and incident hypertension in healthy men and women. *J. Clin. Endocrinol. Metab.* **97**, E29-34 (2012).
- 243 Cacioppo, J. T. *et al.* Heterogeneity in neuroendocrine and immune responses to brief psychological stressors as a function of autonomic cardiac activation. *Psychosom. Med.* **57**, 154-164 (1995).
- 244 Glasser, M. F. *et al.* A multi-modal parcellation of human cerebral cortex. *Nature* **536**, 171-178 (2016).
- 245 Iversen, S., Iversen, L. & Saper, C. B. The autonomic nervous system and the hypothalamus. *Principles of neural science* **4**, 960-981 (2000).

- 246 Critchley, H. D. & Harrison, N. A. Visceral influences on brain and behavior. *Neuron* **77**, 624-638 (2013).
- 247 Yarkoni, T., Poldrack, R. A., Nichols, T. E., Van Essen, D. C. & Wager, T. D. Large-scale automated synthesis of human functional neuroimaging data. *Nat. Methods* **8**, 665-670 (2011).
- 248 Koster-Hale, J. *et al.* Mentalizing regions represent distributed, continuous, and abstract dimensions of others' beliefs. *Neuroimage* **161**, 9-18, doi:10.1016/j.neuroimage.2017.08.026 (2017).
- 249 Soutschek, A., Moisa, M., Ruff, C. C. & Tobler, P. N. The right temporoparietal junction enables delay of gratification by allowing decision makers to focus on future events. *PLoS Biol.* **18**, e3000800, doi:10.1371/journal.pbio.3000800 (2020).
- 250 Seeley, W. W. The Salience Network: A Neural System for Perceiving and Responding to Homeostatic Demands. *J. Neurosci.* **39**, 9878-9882, doi:10.1523/JNEUROSCI.1138-17.2019 (2019).

Acknowledgements

The authors are grateful for support from the US National Institutes of Health, including grants R01MH076136 and R01DA035484 (T.D.W.), R01DA043690 and R01DA042911 (H.K.) and NHLBI P01 040962 (P.J.G.), and for a Marie-Sklodowska-Curie/PRESTIGE fellowship (PRESTIGE-2018-2-0023) from Campus France (L.K.). The authors thank Dr. Meghan Meyer for helpful feedback, and L. Feldman Barrett and two anonymous reviewers for constructive peer-review comments on prior drafts of this manuscript.

Author contributions

LK and TW conceptualized the article, wrote the first draft, and created the figures. PG and HK contributed to the conceptual model, literature review, interpretation, and writing.

Code availability

Instructions and code to generate the visualizations of the term-based meta-analytic association maps in Fig. 3 are included in Supplementary information S3.

Competing interests

The authors declare no competing interests.

Supplementary information

S1 (figure); S2 (box); S3 (box).

Table 1 | Associations among psychosocial factors, physiology and health outcomes

Psychological and social factors	Physiological correlates	Health outcomes	Refs*
Anger, hostility	<ul style="list-style-type: none"> ↑ Adrenaline and noradrenaline ↑ Cardiovascular stress reactivity ↑ Systemic inflammation ↑ ACTH and CORT ↓ Parasympathetic cardiac control 	<ul style="list-style-type: none"> ↑ Risk of CHD events in non-patients ↓ Prognosis in CHD patients ↑ Risk of future stroke in non-patients 	211-215
Depression	<ul style="list-style-type: none"> ↑ Adrenaline, noradrenaline ↑ Systemic inflammation ↑ ACTH and CORT ↓ Parasympathetic cardiac control 	<ul style="list-style-type: none"> ↑ CHD mortality in patients with unipolar and bipolar depression ↓ Prognosis among CHD patients ↑ Risk of CHD events in non-patients ↑ Cancer progression ↓ Survival in cancer patients ↑ Risk of mortality in diabetes ↑ Risk of diabetes in non-patients 	208,216-219
Anxiety	<ul style="list-style-type: none"> ↑ Systemic inflammation ↓ Parasympathetic cardiac control 	<ul style="list-style-type: none"> ↑ CHD mortality in patients with anxiety disorders ↑ Risk of CHD events in non-patients 	213,220-223
Chronic stress	<ul style="list-style-type: none"> ↑ ACTH and CORT in early phase ↓ ACTH and CORT in later phase ↓ Immune function ↑ Systemic inflammation ↑ Glucocorticoid resistance 	<ul style="list-style-type: none"> ↑ Risk of CHD events and CHD mortality in non-patients ↓ Survival in cancer patients 	224-226
Positive emotionality	<ul style="list-style-type: none"> ↓ CORT ↓ Inflammatory responses to psychological stressors 	<ul style="list-style-type: none"> ↓ Risk of mortality ↓ Risk of CHD mortality in non-patients ↓ Risk of mortality in patients with renal failure and HIV ↓ Risk of stroke ↓ Resistance to rhinovirus and influenza 	227-230
Social support	<ul style="list-style-type: none"> ↓ Cardiovascular stress reactivity ↓ HPA axis stress reactivity ↓ Systemic inflammation 	<ul style="list-style-type: none"> ↑ Survival after CHD event ↓ Risk of mortality ↓ Risk of CHD events ↑ Survival in cancer patients ↓ Risk of cognitive decline 	231-233
Social integration	<ul style="list-style-type: none"> ↓ Systemic inflammation 	<ul style="list-style-type: none"> ↓ Risk of mortality ↓ Risk of future CHD events and CHD mortality in non-patients ↓ Risk of dementia and cognitive decline ↓ Risk of stroke ↓ Risk of developing respiratory infections ↑ Survival in cancer patients 	234-239
Acute stress reactivity	<ul style="list-style-type: none"> ↑ Adrenaline and noradrenaline ↑ HPA axis stress reactivity ↑ Cardiac contractility ↓ Parasympathetic cardiac control ↑ Blood pressure ↑ Heart rate ↑ Ventricular dysfunction ↑ Systemic inflammation 	<ul style="list-style-type: none"> ↑ Risk of CHD events and CHD mortality in patients and non-patients ↑ Risk of hypertension 	59,240-243

ACTH, adrenocorticotropic hormone; CHD, coronary heart disease; CORT, cortisol; HIV, human immunodeficiency virus; HPA, hypothalamic–pituitary–adrenal. *A general

note on the advantages of prospective studies (such as those referenced here) is available in the **Supplementary information S2**.

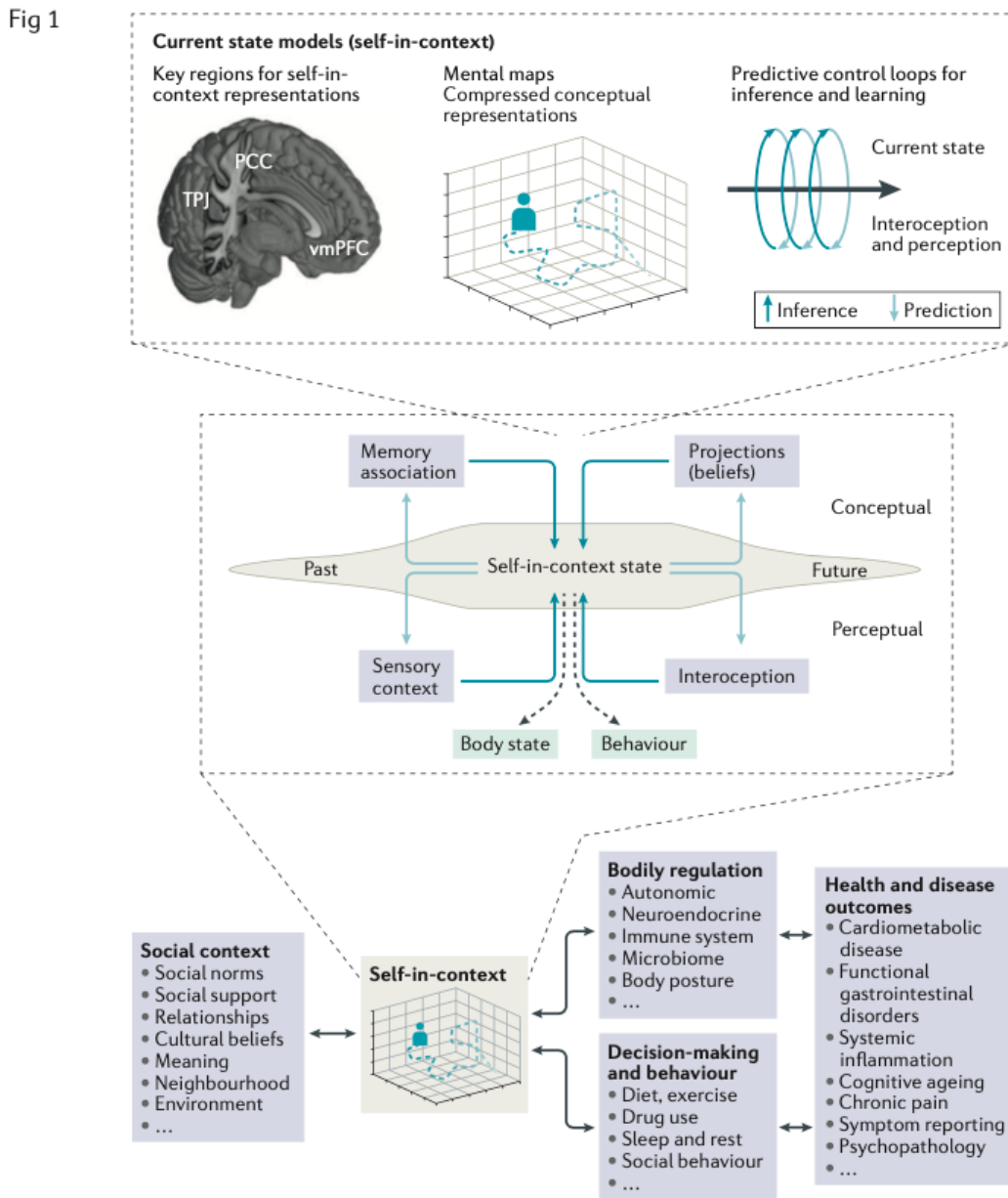


Fig. 1 | A schematic of self-in-context models and their role in health and disease. The ventromedial prefrontal cortex (vmPFC), together with other key regions of the default-mode network (DMN) such as the temporoparietal junction (TPJ) and posterior cingulate cortex (PCC), locates the current position of the self-in-context in a compressed low-dimensional space that captures the essential features of a situation — what we could also call ‘meaning-making’ or locating the current state of the self on a mental or conceptual map. Self-in-context models are inference-based models of the current state that predict sensory and interoceptive input and guide behaviour and

physiological regulation based on predictive codes. They also shape and are by shaped by beliefs and associative memory and learning. Self-in-context models are shaped by the social and environmental context of the agent, including but not limited to social norms and relationships, cultural beliefs and neighbourhood characteristics. In turn they can regulate visceral outflow via vmPFC projections to the hypothalamus and the brainstem. Self-in-context models also shape decision-making and health-relevant behaviour (for example, dietary choices and how one works and connects with others) via vmPFC connections with the basal ganglia and the mesolimbic reward circuit or frontostriatal loops²⁰. Together, these dual pathways can shape mental and bodily health in multiple ways, such as via their effects on inflammation and allostasis, or their interactions with other health-relevant systems such as microbiota (for example, via dietary patterns). For instance, maladaptive thought patterns and self-in-context models may lead to a dysregulation of the autonomic nervous system, which leads to allostatic load and diminished recovery, with long-term effects on bodily organs. At the same time, self-in-context models may lead to changes in health-related behaviour such as unhealthy food choices, insufficient exercise or drug use, which also impact health in the short and long term.

Fig 2

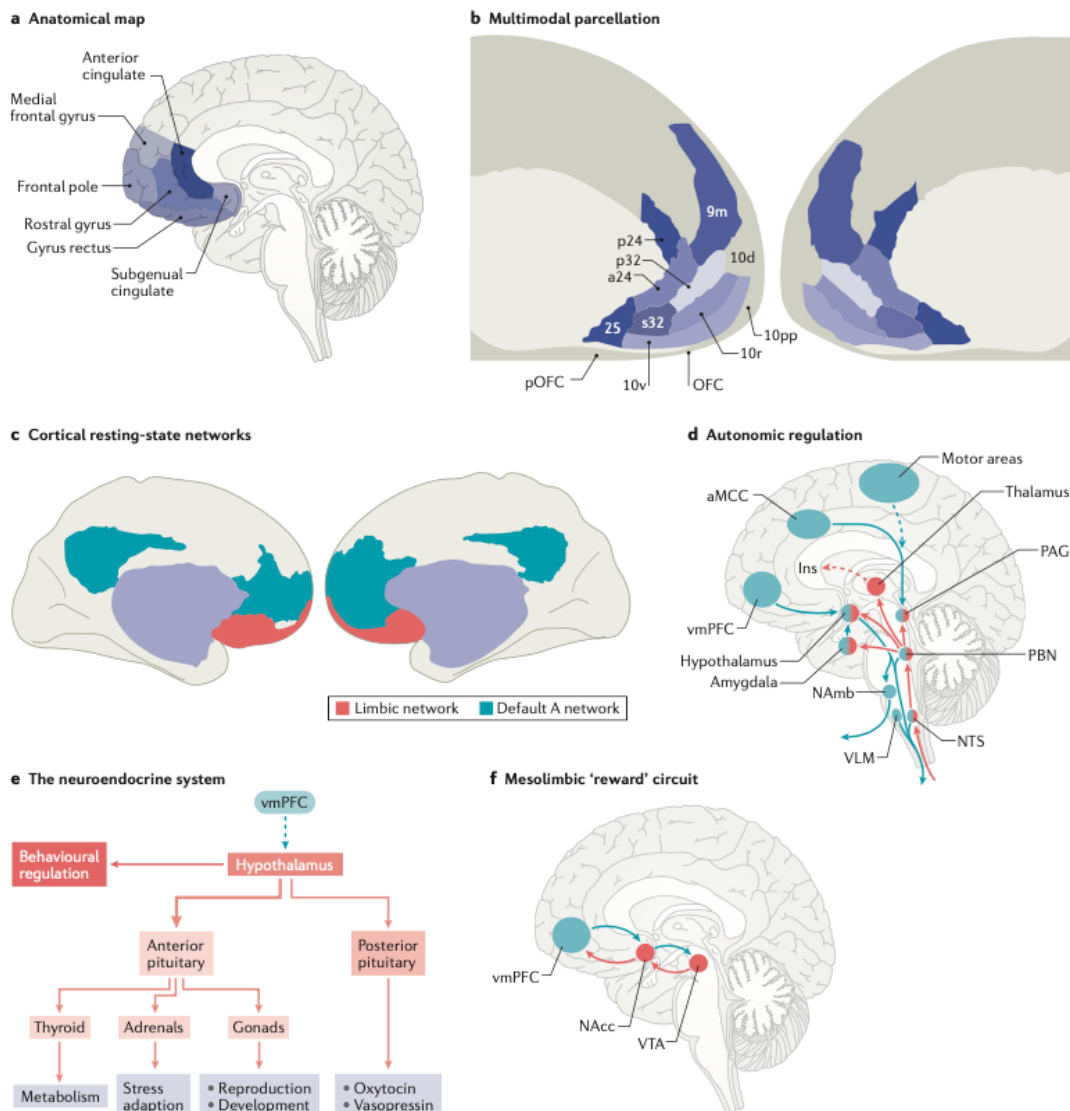


Fig. 2 | Anatomy and functional connectivity of the ventromedial prefrontal cortex.

a | The anatomy of the ventromedial prefrontal cortex (vmPFC) includes the ventral anterior and the subgenual cingulate cortex, the gyrus rectus, the medial parts of the rostral gyrus and frontal pole, and inferior parts of the superior or medial frontal gyrus. **b** | Multimodal parcellation of vmPFC and adjacent areas, based on an established whole-brain parcellation²⁴⁴, illustrating the heterogeneity of vmPFC in terms of anatomical features and functional co-activation patterns. **c** | Cortical resting-state networks. Most of vmPFC is part of the default mode Network (DMN), especially the Default A network or core-DMN (here based on the parcellation by Yeo et al.⁸⁶) that serves as a hub between the medial temporal and the dorsal subnetworks of the DMN⁸⁹. The most ventral part of vmPFC (that is, the rostral gyrus and parts of subgenual anterior cingulate cortex) is part of the limbic network. **d** | Brain areas

associated with autonomic regulation include the vmPFC and its connections with limbic and brainstem areas (simplified overview, based on refs. ^{18,245,246}). Red colour denotes ascending tracts; blue, descending tracts. Note that autonomic regulation involves connection from areas of different large-scale networks, including limbic, default-mode, salience, and somatomotor areas. More details are provided in **Supplementary information S1. e** | Via its close connections to the hypothalamus, the vmPFC can also influence the neuroendocrine system. **f** | Together with the nucleus accumbens (NAcc) and the ventral tegmental area (VTA), the vmPFC is part of the mesolimbic reward circuit²⁰ (simplified here), guiding value-based decision-making and adaptive behaviour. aMCC, anterior midcingulate cortex; amyg, amygdala; Ins, insula (not visible on brain surface plot); NAmb, nucleus ambiguus; NTS, nucleus tractus solitaries; PAG, periaqueductal gray; PBN, parabrachial nucleus; VLM, ventrolateral medulla. Part **b** is adapted from ref. ²⁴⁴. Part **c** is adapted from ref. ⁸⁶.

Fig 3

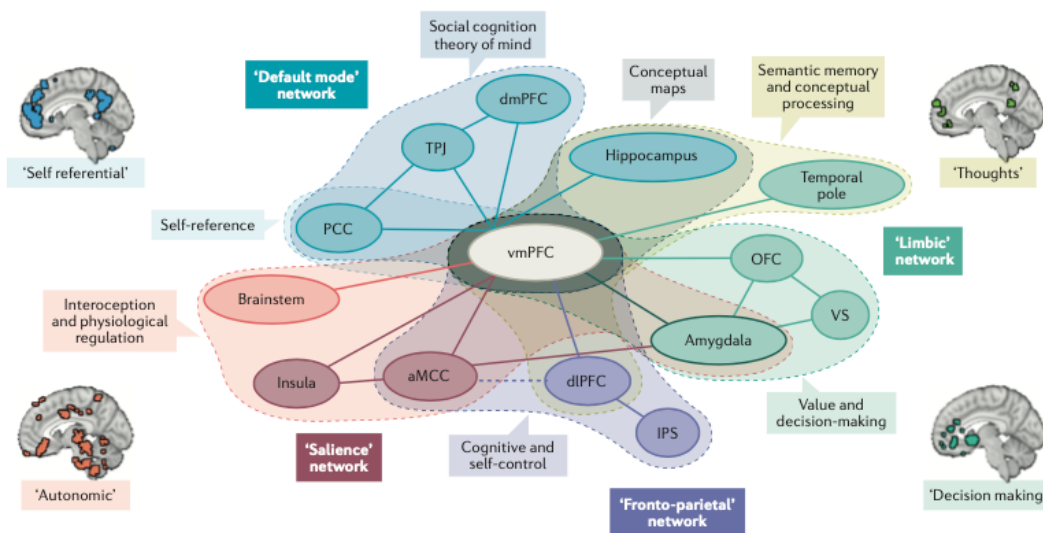


Fig. 3 | Functional associations of ventromedial prefrontal cortex with connected brain networks. The ventromedial prefrontal cortex (vmPFC) is closely connected to areas of the 'default mode' network (DMN). Together with other DMN regions, including the temporoparietal junction (TPJ), dorsomedial prefrontal cortex (dmPFC), hippocampus and posterior cingulate cortex (PCC), it is involved in social cognition and in self-referential thought. Both the hippocampus and vmPFC show evidence for grid-like coding of spatial and conceptual maps, and together with other temporal and frontal areas, are involved in semantic memory and conceptual processing more

broadly. The most ventral part of the vmPFC is connected to the ‘limbic’ network, including the orbitofrontal cortex (OFC), ventral striatum (VS), and other subcortical areas. Together with the VS, the vmPFC is important for reward processing and decision-making. As such, it is amenable to interactions with the frontoparietal network, especially the dorsolateral prefrontal cortex (dlPFC), involved in executive and self-control. Together with areas of the ‘salience’ network (especially the anterior midcingulate cortex (amCC) and anterior insula) and subcortical regions, the vmPFC is involved in interoception and physiological regulation. Representative Neurosynth²⁴⁷ term-based meta-analytic association maps (thresholded at false discovery rate (FDR) $q < 0.01$, reproducible and available for download on neurosynth.org) illustrate the role of vmPFC with ‘self-referential’ processing, conceptual ‘thoughts’, ‘decision-making’, and ‘autonomic’ regulation. See **Supplementary information S3** for instructions and code to recreate the visualisations of the maps seen here.

Box 1 | Beyond the ventromedial prefrontal cortex and default-mode network

While our discussion focuses on ventromedial cortex (vmPFC), other interconnected regions of the DMN and other brain networks are important for conceptual processing and likely contribute to self-in-context representations and bodily and behavioral regulation. The posterior cingulate cortex (PCC) is often co-activated with the vmPFC, including in tasks such as social cognition, self-referential thought, and mind-wandering⁹⁰. Together with the vmPFC and temporoparietal junction (TPJ), it may form a central brain system for appraisal and meaning-making⁶⁴. The TPJ is implicated in conceptions of agency, others’ intentions²⁴⁸ and the bodily representation of the self¹¹⁷, and may also be important for self-projection and mental representation of future events²⁴⁹. Thus, the TPJ may have an important role in shifting perspectives across time and social agents: processes that are important for flexible and adaptive self-in-context models.

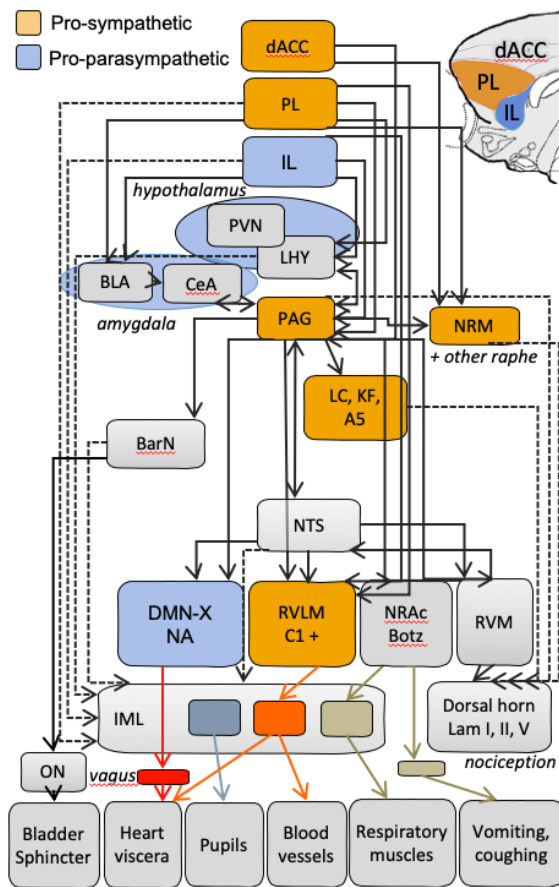
The hippocampus is crucial for the formation of long-term memories and ‘cognitive maps’, and for spatial orientation^{6,13,108}. Similar to the vmPFC, the hippocampus and parahippocampal cortex have grid-cell-like properties for representing conceptual relationships¹⁴. Though they may jointly contribute to constructing conceptual maps of the self in context, conceptual maps may also differ between areas. For example, vmPFC may be especially important for self-referential conceptual maps that prioritize information relevant for bodily integrity and wellbeing—a particular type of egocentric map—whereas hippocampus might preferentially encode information relevant for allostatic spatial and conceptual maps less directly involved in physiological regulation.

Networks beyond the default mode network (DMN) are also important for interoception and physiological regulation. The EPIC (Embodied Predictive Interoception Coding) model has been proposed to explain how intrinsic brain networks underlie allostasis, unifying interoception and visceromotor control⁴. This model proposes that agranular cortical regions (including the cingulate cortex and anterior insula) control visceromotor function via their connections to subcortical areas and, in parallel, send sensory prediction signals to granular cortical regions, especially primary interoceptive cortex⁴. Testing this model, a recent study found evidence for two large-scale networks around several key visceromotor regions, closely aligning with the DMN¹⁵ and the salience²⁵⁰ (or ventral attention⁸⁶) networks, which together may form a unified brain system for allostasis⁵.

One intriguing hypothesis is that DMN and salience networks may underlie allostasis in two distinct but complementary ways, in line with the distinct dynamics of these two networks: DMN regions such as the vmPFC may predictively regulate body function and behaviour based on conceptual information and self-in-context models, whereas the salience network may do so reactively, based on the detection of 'salient' events or new information that require adjustments or 'switching' of states. These and other hypotheses could be tested in future work.

Supplementary information

a



b

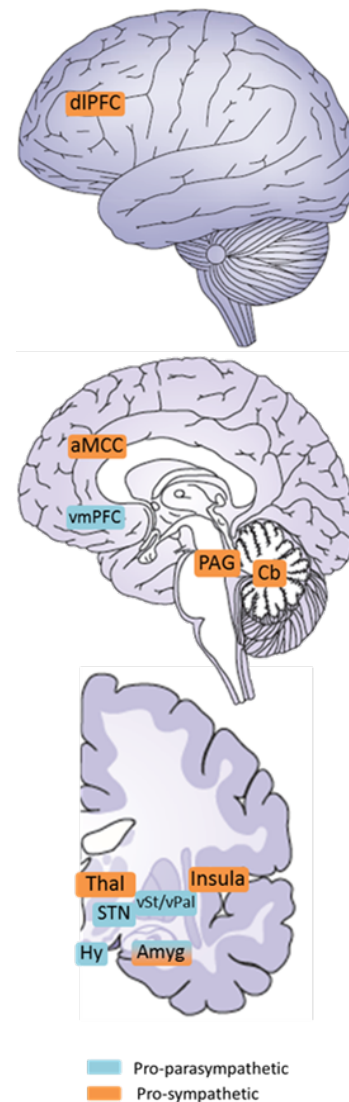


Figure S1 | Pro- and antisympathetic pathways in rodents and humans. a | Selected descending projections from rodent medial prefrontal cortex — including dorsal anterior cingulate cortex (dACC), infralimbic cortex (IL), and prelimbic (PL) cortex — involved in autonomic control of organ function. Descending projections target multiple levels of the neuraxis, from forebrain to spinal cord. In the forebrain and diencephalon, these include the basolateral and central amygdala (BLA, CeA) and lateral and paraventricular zones of the hypothalamus (LHY, PVN). Brainstem targets include periaqueductal gray (PAG), nucleus raphe magnus (NRM) and other raphe nuclei, locus coeruleus (LC), Kölliker-Fuse nucleus (KF), the A5 noradrenergic group, nucleus tractus solitarius (NTS), dorsal motor nucleus of the vagus (DMN-X), nucleus

ambiguous (NA), rostral ventral medulla (RVM) and rostral ventrolateral medulla (RVLM; C1 cells are a neuronal subpopulation within RVLM), the nucleus retroambiguus caudalis (NRAc) and Bötzing complex (Botz). Spinal targets include the intermediolateral cell columns (IML) and dorsal horn, involved in sympathetic innervation of organs and nociception, respectively. Dashed lines show direct spinal projections, and colors based on likely sympathetic/parasympathetic preference. This schematic illustration is based on selected projections from dACC, PL and IL regions in rodents, focusing on pathways that connect the prefrontal cortex with regions in the brainstem and spinal cord that regulate autonomic outflow to the organs. Connections are based on projections identified using retrograde and anterograde tracers and collated from published studies in the Brain Architecture Management System (BAMS3) atlas¹⁻⁴. For a more detailed summary of connections, see Satpute et al. 2018⁵. Autonomic control is complex and most regions are unlikely to be purely sympathetic or parasympathetic; however, some regions are colour-coded as predominantly one or the other based on a summary of human neuroimaging associations (see below), for ease of cross-referencing. **b** | Brain-autonomic associations in human studies, based on meta-analyses^{6,7}. Pro-sympathetic effects included positive correlations with heart rate (HR), systolic blood pressure (SBP) and mean arterial pressure (MAP), and negative correlations with high-frequency cardiac power (HF-power), heart-rate variability (HRV) and respiratory sinus arrhythmia (RSA) measures. These associations were centred in a network connecting dACC and medial prefrontal cortex with thalamic, diencephalic, brainstem and cerebellar regions, including coverage of many nuclei identified in part **a**. Pro-parasympathetic effects included positive correlations with HF-power, HRV and RSA, and negative correlations with HR, SBP and MAP. These associations were mainly found in parts of ventromedial prefrontal cortex (vmPFC) and orbitofrontal cortex (OFC), insula, amygdala, ventral striatum–ventral pallidum (vSt/vPal) and subthalamic nucleus (STN). BarN, Barrington nucleus; C1+, C1 cells; ON, Onuf's nucleus.

Box S2 | Prospective studies of the effects of psychological and social factors on health

Psychological and social factors have been associated with diverse health outcomes. The strongest evidence for these associations derives from prospective clinical and epidemiological studies that attempt to overcome the interpretive problem of reverse causation. This problem is inherent to cross-sectional studies, in which psychological and social factors are measured at the same time as a health outcome and then correlated with one another. Here, it is always possible that poor health led to an unfavourable psychological or social state. By contrast, prospective studies assess a given psychological or social factor among individuals who are symptomatic or asymptomatic for a clinical illness, and then follow these individuals for many years to track the new development (that is, incidence) of a particular health outcome (such as fatal or nonfatal myocardial infarction), the progression of disease (for example, how rapidly a disease advances in its severity), the recurrence of a disease state or survival. If a given psychological or social factor predicts the future development of a health outcome, and this predicted effect is not explained by other influences (such as age, sex, ethnicity or family history of disease), the factor is implicated as a potential determinant of health.

Psychological and social factors are most often measured by self-report instruments (for example, questionnaires or surveys) that have demonstrable psychometric properties (such as good test–retest reliability and internal consistency), but some studies also rely on clinical diagnoses (such as in studies of depression and anxiety) and diary-like self-report measures taken from individuals in daily life (for example, through use of cellular phones or other electronic devices).

Complementing these epidemiological studies are laboratory and field studies that measure psychological and social factors in relation to biological indicators of autonomic nervous system activity, hypothalamic–pituitary–adrenal axis activity and immune activity. The importance of these studies is that they often provide evidence for the plausible physiological pathways (that is, a specific pathophysiology or particular brain circuitry) that link psychological and social factors to a particular health outcome.

Box S3 | Recreating meta-association maps in Fig. 3

Software needed to run the script to reproduce our visualizations is below. Once the software is installed, save the script below as an .m file in the same folder as the Neurosynth maps, and run the script from this folder. The Neurosynth maps visualized in Figure 3 were downloaded on Jan 6, 2021. Files and code can be found on Github at https://github.com/canlab/2021_Koban_NRN_SelfInContext

The Neurosynth maps can alternatively be visualized using other neuroimaging software (for example, SPM orthviews, FSLEyes, Caret/Connectome Workbench, pycortex, etc).

Software dependencies

1. Matlab 2020b (other versions may be compatible); Matlab Signal Processing Toolbox
2. SPM12 software (latest release as of Jan 2021; other versions may be compatible)
3. The CanlabCore and Neuroimaging_Pattern_Masks repositories (<https://github.com/canlab>), version 1-12-2021 (other versions may be compatible)

Install includes adding all subfolders to your Matlab path. Further install instructions are on canlab.github.io.

Visualizing the latest Neurosynth maps in the Neurosynth web browser

The latest maps can be viewed and downloaded at Neurosynth.org (although these are not guaranteed to remain the same as the database may be updated).

1. On neurosynth.org, click 'Meta-analyses' and select the 'Terms' option.
2. Enter the term (that is, 'thoughts', 'decision making', 'self referential' or 'autonomic') into the search bar, and click on the closest term identified in the search results.
3. Ensure that the association test layer and anatomical layer are both visible (but that the uniformity test layer is not visible).
4. Enter the X coordinate -6 in the space provided and uncheck the 'crosshairs' and 'labels' boxes.

Script

```
%% vmPFC related term-based Neurosynth metas
% script to reproduce meta-analytics maps of Figure 3 (Koban, Gianaros, Kober, &
Wager, 2021)
% by Leonie Koban, Jan 6, 2021
%

terms = {'self'; 'thoughts'; 'decision making'; 'autonomic'};

cols = {[95 173 228]./256;... % define colors
        [139 193 69]./256;...
        [90 224 187]./256;...
        [233 137 96]./256};

for t = 1:numel(terms) % plot figure for each image, sagittal views at x = -6

    dat{t} = fmri_data(filenamees([terms{t}, '*.nii']), 'noverbose');
    dat{t} = threshold(dat{t}, [0 Inf], 'raw-between'); % positive associations only
```

```
figure;
o2 = fmridisplay;
axh(t) = axes('Position', [0.1 0.3 .5 .5]);
o2 = montage(o2, 'saggital', 'wh_slice', [-6 0 0], 'existing_axes', axh(t));
o2 = addblobs(o2, region(dat{t}), 'color', cols{t}, 'contour'); title(terms{t})

end
```

Supplementary References

- 1 Bota, M. & Swanson, L. W. Collating and Curating Neuroanatomical Nomenclatures: Principles and Use of the Brain Architecture Knowledge Management System (BAMS). *Front Neuroinform* **4**, 3 (2010).
- 2 Bota, M., Dong, H. W. & Swanson, L. W. Combining collation and annotation efforts toward completion of the rat and mouse connectomes in BAMS. *Front Neuroinform* **6**, 2 (2012).
- 3 Bota, M., Dong, H. W. & Swanson, L. W. Brain architecture management system. *Neuroinformatics* **3**, 15-48 (2005).
- 4 Bota, M., Talpalaru, S., Hintiryan, H., Dong, H. W. & Swanson, L. W. BAMS2 workspace: a comprehensive and versatile neuroinformatic platform for collating and processing neuroanatomical connections. *J Comp Neurol* **522**, 3160-3176 (2014).
- 5 Satpute, A. B., Kragel, P. A., Barrett, L. F., Wager, T. D. & Bianciardi, M. Deconstructing arousal into wakeful, autonomic and affective varieties. *Neurosci Lett* (2018).
- 6 Beissner, F., Meissner, K., Bär, K.-J. & Napadow, V. The autonomic brain: an activation likelihood estimation meta-analysis for central processing of autonomic function. *J. Neurosci.* **33**, 10503-10511 (2013).
- 7 Thayer, J. F., Åhs, F., Fredrikson, M., Sollers, J. J. & Wager, T. D. A meta-analysis of heart rate variability and neuroimaging studies: Implications for heart rate variability as a marker of stress and health. *Neurosci. Biobehav. Rev.* **36**, 747-756 (2012).