



HAL
open science

Comparison of Tank and Battery Storages for Photovoltaic Water Pumping

Camille Soenen, Vincent Reinbold, Simon Meunier, Judith A Cherni, Arouna Darga, Philippe Dessante, Loïc Quéval

► **To cite this version:**

Camille Soenen, Vincent Reinbold, Simon Meunier, Judith A Cherni, Arouna Darga, et al.. Comparison of Tank and Battery Storages for Photovoltaic Water Pumping. *Energies*, 2021, 14 (9), pp.2483. 10.3390/en14092483 . hal-03251689

HAL Id: hal-03251689

<https://hal.sorbonne-universite.fr/hal-03251689>

Submitted on 7 Jun 2021

HAL is a multi-disciplinary open access archive for the deposit and dissemination of scientific research documents, whether they are published or not. The documents may come from teaching and research institutions in France or abroad, or from public or private research centers.

L'archive ouverte pluridisciplinaire **HAL**, est destinée au dépôt et à la diffusion de documents scientifiques de niveau recherche, publiés ou non, émanant des établissements d'enseignement et de recherche français ou étrangers, des laboratoires publics ou privés.

Article

Comparison of Tank and Battery Storages for Photovoltaic Water Pumping

Camille Soenen^{1,2,*}, Vincent Reinbold^{3,4}, Simon Meunier^{3,4}, Judith A. Cherni¹, Arouna Darga^{3,4}, Philippe Dessante^{3,4} and Loïc Quéval^{3,4}

¹ Centre for Environmental Policy, Imperial College London, London SW7 2AZ, UK; j.cherni@imperial.ac.uk

² Mechanics Department, Ecole Polytechnique, Institut Polytechnique de Paris, 91120 Palaiseau, France

³ GeePs, CNRS, CentraleSupélec, Université Paris-Saclay, 91192 Gif-sur-Yvette, France; vincent.reinbold@geeps.centralesupelec.fr (V.R.); simon.meunier@geeps.centralesupelec.fr (S.M.); arouna.darga@centralesupelec.fr (A.D.); philippe.dessante@centralesupelec.fr (P.D.); loic.queval@geeps.centralesupelec.fr (L.Q.)

⁴ GeePs, CNRS, Sorbonne Université, 75252 Paris, France

* Correspondence: camille.soenen.2016@polytechnique.org

Abstract: Photovoltaic water pumping systems (PVWPS) are a promising solution to improve domestic water access in low-income rural areas. It is challenging, however, to make them more affordable for the local communities. We develop here a comparative methodology to assess relevant features of both widely employed PVWPS architecture with water tank storage, and hardly used PVWPS architecture with a battery bank instead of tank storage. The quantitative comparison is carried out through techno-economic optimization, with the goal of minimizing the life cycle cost of PVWPS with constraints on the satisfaction of the water demand of local inhabitants and on the groundwater resource sustainability. It is aimed to support decision-makers in selecting most appropriate storage for domestic water supply projects. We applied the methodology in the rural village of Gogma, Burkina Faso. Results indicate that the life-cycle cost of an optimized PVWPS with batteries is \$24.1k while it is \$31.1k if a tank is used instead. Moreover, reduced impact on groundwater resources and greater modularity to adapt to evolving water demand is noted if using batteries. However, as batteries must be replaced regularly and recycled adequately, PVWPS' financial accessibility could increase only if sustainable and efficient operation, maintenance, and recycling facilities for batteries were present or developed locally.

Keywords: photovoltaic water pumping; optimal sizing; life-cycle cost; system architectures; storage technologies; batteries



Citation: Soenen, C.; Reinbold, V.; Meunier, S.; Cherni, J.A.; Darga, A.; Dessante, P.; Quéval, L. Comparison of Tank and Battery Storages for Photovoltaic Water Pumping. *Energies* **2021**, *14*, 2483. <https://doi.org/10.3390/en14092483>

Academic Editor: George Kosmadakis

Received: 28 March 2021

Accepted: 23 April 2021

Published: 27 April 2021

Publisher's Note: MDPI stays neutral with regard to jurisdictional claims in published maps and institutional affiliations.



Copyright: © 2021 by the authors. Licensee MDPI, Basel, Switzerland. This article is an open access article distributed under the terms and conditions of the Creative Commons Attribution (CC BY) license (<https://creativecommons.org/licenses/by/4.0/>).

1. Introduction

Photovoltaic water pumping systems (PVWPS) are a promising way to provide sustainable water access for domestic use in off-grid communities [1]. A correlation between the lack of running water and solar resources has been found [2,3], and the cost of PV systems is now competitive with other conventional systems like diesel [4,5]. However, it is still a significant challenge to make them affordable for the communities living in such low-income areas. Different architectures of PVWPS have been installed in rural communities [6,7]. A PVWPS for domestic use consists of a PV array, a motor-pump, a fountain to collect water, and a storage device. The architectures differ mainly by their storage technologies. A system with a water tank is called here a tank PVWPS, and a system with a battery bank is called a battery PVWPS [1,8].

The tank PVWPS is most widely spread for domestic use [9]. In the literature, optimizations have been carried out, especially on the sizing of the tank and the PV array, to minimize the system cost while satisfying the water demand. Muhsen et al. optimised a PVWPS providing water to 120 inhabitants in Malaysia [10]. Bouzidi [11] and Bakelli [12]

optimized PVWPS in Algeria, providing 60 m³ and 6 m³ of water for daily domestic use. Meunier et al. optimized a PVWPS for domestic use for 280 inhabitants of a village in Burkina Faso [13].

The battery PVWPS is less spread for domestic use but certain qualitative features of this architecture have been highlighted in the literature. For example, Anis & Nour specify that employing a battery maximizes solar power use allowing for panel size reduction, and thus the cost of the PV array [14]. Khan et al. [15] and Meah et al. [16] explain that they disregard battery storage to reduce the system's life cycle cost and maintenance needs. Gopal et al. [17] and Chand & Kalamkar [18] established that a battery increases the cost and the complexity of the system while decreasing its efficiency.

As these studies report some contradicting findings; their conclusions do not allow a substantial basis for the selection of an optimal architecture between the two. Selecting the best system for a given case requires a quantitative comparison of optimized systems [19,20]. To our best knowledge, no article performs such a quantitative comparison for PVWPS for domestic use.

For irrigation, a quantitative comparison was performed by Basalike in his thesis [21]. He compared the tank PVWPS and battery PVWPS for a case study in Rwanda. The two architectures are sized by an intuitive method, and an economic comparison is then performed. The thesis concludes that for irrigation in Rwanda, the battery architecture has a higher initial cost than the tank architecture but is more performant and profitable because it produces a surplus of electricity than can be sold. Nevertheless, the method of [21] is not based on optimization, and its results could thus be refined. Indeed, as mentioned in [22], intuitive methods usually result in oversizing systems compared to optimization. Moreover, the results for irrigation should not be extrapolated to domestic water access. Water demand and uses strongly differ in terms of volume and temporal distribution [23]. Additionally, the constraints are less tight for irrigation: the aggregated required volume is fixed, but the periods and flow rates of irrigation can vary [24].

Pardo et al. [25] compared these two storage options (tank and battery) in another framework which is an urban water pressurized network. They designed a method to compare the two options based on their payback period. This method requires a calibrated hydraulic model and considers the monthly consumption of an urban network and not the hourly water need of a population. They concluded that, for their case study, battery storage is less expensive but also that there is no universal solution because it depends on the network and location specificities.

This article aims to assess advantages and limitations that characterize tank and battery architectures for PVWPS for domestic water supply in off-grid communities. In contrast to the existing literature, our study employs an original techno-economic optimization and a comparative methodology, designed for the current study. The method is applied to find the most suitable architecture for a given case study in Burkina Faso. The method designed here only needs data on the population water consumption, the irradiance, and the temperature so it can be replicated for other locations and communities. We also discuss the results in light of a few aspects which have hardly been considered previously, i.e., impact on groundwater resources and difficulties with systems operation and maintenance.

The technical and economic models of both architectures are detailed in Section 2. The case study considered is described in Section 3. The optimization methodology is described in Section 4. The results are presented and discussed in Section 5.

2. Methodology

2.1. Architectures

The tank and battery architectures are represented in Figure 1. The tank architecture is made of a PV array; a maximum power point tracker (MPPT), which tracks the best operating point of the PV array; a motor-pump (with a DC motor or an inverter and an AC motor); an elevated water tank in steel (expensive and reliable) or plastic (cheap but not fully reliable, so not considered in this study); a controller to start and stop the motor-pump

according to the water volume in the tank; a fountain to collect water and pipes [6,8,26]. The battery architecture is made of a PV array; a battery bank; a MPPT charge controller to control the power flow from the PV array to the battery bank or the motor pump; a motor-pump; a pressure switch to start and stop the motor-pump, according to the fountain tap opening; a fountain and pipes [17,21,27].

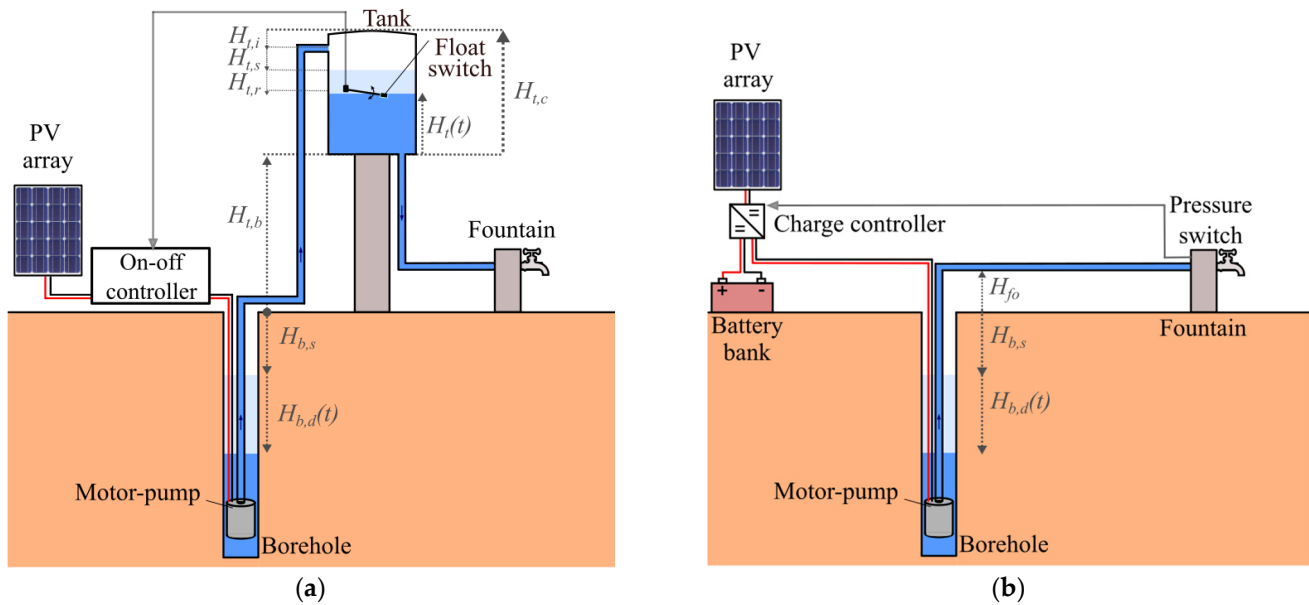


Figure 1. (a) Tank PVWPS. (b) Battery PVWPS. $H_{t,b}$: height between the ground level and the bottom of the tank, $H_{t,c}$: tank height, $H_{t,i}$ (<0): height between the top of the tank and the water entry in the tank, $H_{t,s}$ (<0): height between the water entry and the stop controller level, $H_{t,r}$ (<0): height between the stop controller level and the restart level, $H_t(t)$: water level in the tank, $H_{b,s}$ (<0): height between the ground level and the static water level in the borehole, $H_{b,d}(t)$ (<0): height between the static level and the water level in the borehole (i.e., the drawdown), H_{fo} : the height between the ground level and the fountain's tap.

2.2. Technical Models

Figure 2 shows the block diagrams of the tank and battery PVWPS technical models. The inputs of both models are the ambient temperature T_a , the irradiance G_{pv} , and the user's water demand, which is represented by $g_i = (t_i, V_{di}^*)$, where t_i is the time of arrival of the user group g_i and V_{di}^* is the water volume demanded by the group g_i . The models' output is the flow rate of collected water at the tap, $Q_{c,t}$ for the tank architecture and $Q_{c,b}$ for the battery architecture. The sizing variables are the PV array peak power $P_{pv,p}$, the size of the storage device (tank volume V_t or battery bank capacity Cap_b), and the motor-pump reference MP . They will be used as optimisation variables (see Section 4).

2.2.1. Tank Architecture

We detailed the technical model of the tank PVWPS in [28]. For the sake of completeness, we restate the equations, which are solved numerically in a sequential manner. The power output production of the PV array P_{pv} is computed using:

$$P_{pv}(t) = \frac{G_{pv}(t)}{1000} P_{pv,p} \left(1 + \gamma \left(T_a(t) + \frac{NOCT - 20}{800} G_{pv}(t) - 25 \right) \right) b(t), \quad (1)$$

where $P_{pv,p}$ (W) is the peak power of the PV array in standard test conditions (STC), γ is the temperature coefficient of the maximum power point, $NOCT$ is the normal operating cell temperature. b is the on-off controller trigger signal, which allows transferring ($b = 1$) or not ($b = 0$) the power from the PV array to the motor-pump. The value of b is determined by the water level in the tank H_t , measured by a float switch. When the water goes above

the stop level, the on-off controller turns off the motor-pump, and when the water goes below the restart level, the controller turns on the motor-pump.

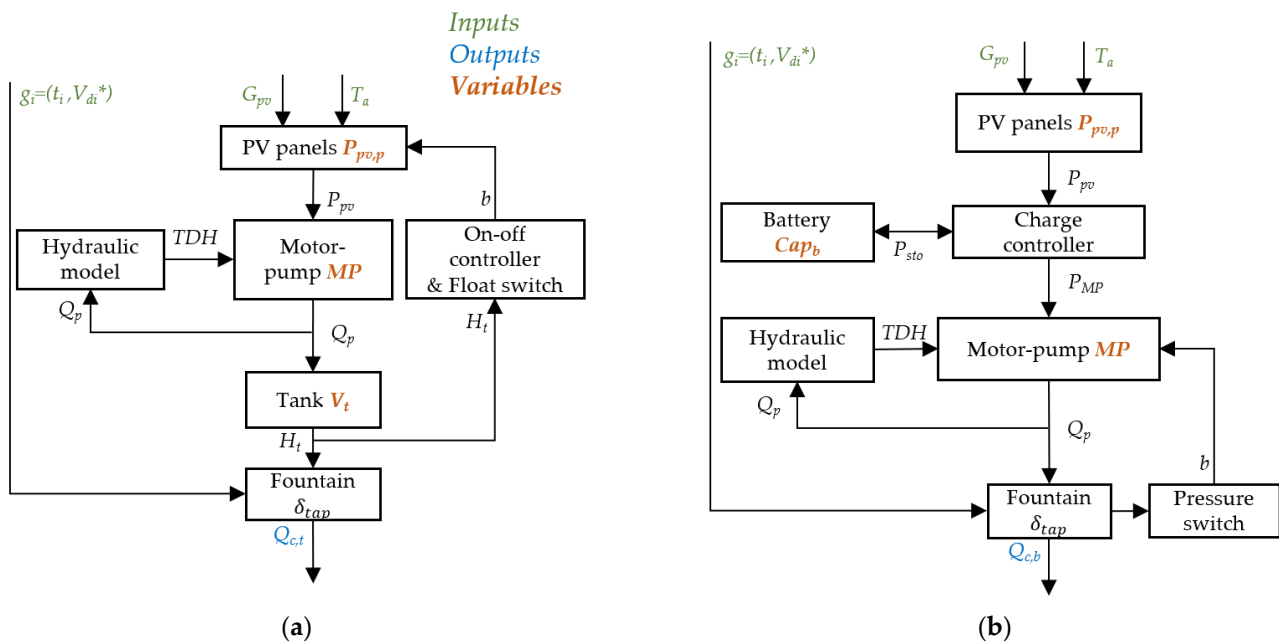


Figure 2. (a) Model of a PVWPS with tank storage. (b) Model of a PVWPS using battery storage.

Q_p is the pumped flow rate and is determined by the input power to the motor-pump P_{pv} and the total dynamic head TDH_t through an abacus provided by the manufacturer [29]. The total dynamic head TDH_t is given by:

$$TDH_t(t) = -(H_{b,s} + H_{b,d}(t)) + H_{t,b} + H_{t,i} + \psi Q_p(t)^2, \tag{2}$$

$$H_{b,d}(t) = -\kappa_0 Q_p(t) - \mu_0 Q_p(t)^2, \tag{3}$$

where ψ is the coefficient associated with pressure losses in the pipe between the motor-pump and the tank, κ_0 is the aquifer losses coefficient, and μ_0 is the borehole losses coefficient. The heights $H_{b,s}$, $H_{b,d}$, $H_{t,b}$, and $H_{t,i}$ are represented in Figure 1. The flow rate from the tank to the fountain is:

$$Q_{c,t}(t) = \delta_{tap}(t) Q_{c,0}, \tag{4}$$

where δ_{tap} models if the tap is open ($\delta_{tap} = 1$) or closed ($\delta_{tap} = 0$). $Q_{c,0}$ is a parameter that depends mainly on the tank height; it is assumed constant here. The tap opens at the arrival of a group of users t_i and closes when the group has collected its needed volume V_{di}^* .

The water level in the tank $H_t(t)$ is determined by:

$$H_t(t) = \max\left(0, H_t(t_0) + \int_{t_0}^t \frac{Q_p(\tau) - Q_{c,t}(\tau)}{S_t} d\tau\right), \tag{5}$$

where S_t is the cylindrical tank base area.

2.2.2. Battery Architecture

The PV model, the motor-pump model and the hydraulic model are the same for the battery PVWPS as for the tank PVWPS. The battery controller regulates the discharge and charge by connecting and disconnecting the motor-pump and the PV array. The PV array is disconnected when the battery is full. The motor-pump is disconnected when the battery voltage v_b goes below the stop level $v_{b,s}$ and is reconnected when the voltage goes above

the restart level $v_{b,r}$. For charging the battery, a scheme with bulk, absorption, and floating phases is considered. During the bulk phase, the current is equal to the PV current until the battery reaches voltage of v_{abs} . During the absorption phase, the voltage is kept constant at v_{abs} . During the float phase, the voltage is kept constant at v_{fl} . The efficiency of the charge controller is η_{cc} . For the discharge, the current cannot exceed i_{max} .

We consider lead-acid batteries as they are the most commonly available in low-income rural areas [30,31]. The battery is modelled by:

$$\begin{cases} P_{sto}(t) = \eta_b(P_{pv}(t) - P_{MP}(t)) \\ P_{sto}(t) = \frac{dE_{sto}(t)}{dt} \end{cases}, \quad (6)$$

where P_{sto} is the power entering the batteries, E_{sto} is the energy stored in the battery, P_{pv} is the power produced by the PV array, P_{MP} is the power consumed by the motor-pump, and η_b is the efficiency of the battery. The efficiency is equal to 90% when the state of charge (SOC) is below 66%, $\eta_b = 1.85 - 1.43 \text{ SOC}$ for a SOC superior to 66%, and it is considered equal to 1 for discharging [32]. The voltage of the battery v_b during discharging is computed from [33]:

$$v_b(t) = \alpha \text{SOC}(t) + \beta + R_b i_b(t), \quad (7)$$

where i_b is the current of the battery and R_b the internal resistance. α and β are coefficients fitted from the datasheet of manufacturers [34–36].

The total dynamic head TDH_b is given by:

$$TDH_b(t) = -(H_{b,s} + H_{b,d}(t)) + H_{fo} + \psi Q_p(t)^2. \quad (8)$$

The motor-pump is activated by a pressure switch installed on the tap. We consider that the motor-pump switches on at the tap's opening and switches off at the tap's closing. We consider that the water pumped flow rate Q_p is kept constant at the desired flow Q_p^* . The power consumed by the motor-pump P_{MP} is deduced from $TDH_b(t)$ and Q_p^* through the motor-pumps characteristics:

$$P_{MP}(t) = \min\left(P\left(TDH_b(t), Q_p^*\right), P_{MP,max}(t)\right) \cdot b(t), \quad (9)$$

where P is a polynomial that fits the motor-pump characteristic, and b is the binary signal given by the pressure switch. $P_{MP,max}$ is the maximum input power in the motor-pump, given by:

$$P_{MP,max}(t) = i_{MP,nom} v_b(t), \quad (10)$$

where $i_{MP,nom}$ is the nominal current of the motor-pump.

If the battery and the PV array cannot provide the P_{MP} , the power to the motor-pump is lower and corresponds to the addition of the PV array generation and of the maximum power from the battery. The final Q_p is then inferior to Q_p^* and is computed from the recalculated $P_{MP}(t)$ and $TDH_b(t)$. The collected water rate at the tap $Q_{c,b}$ is equal to the pumped flow rate Q_p .

Another crucial part of the battery PVWPS model is the computation of the battery lifetime. Indeed, batteries in that kind of climate usually last between 3 [37] and 5 years [38]. The battery's lifetime determines the replacement needs and impacts the system replacement costs. The improved Rainflow counting model is used to assess the battery lifespan [39] and the effect of temperature is estimated through the Arrhenius law [40]. The lifetime L_b in years is thus given by:

$$L_b = \min\left(\frac{1}{\sum_k \frac{DOD_k}{DOD} \frac{1}{CF_{SOC,final,k}} e^{\frac{E_a}{R} \left(\frac{1}{20} - \frac{1}{T}\right)}}, \frac{L_{max}}{e^{\frac{E_a}{R} \left(\frac{1}{20} - \frac{1}{avg(T)}\right)}}\right) \quad (11)$$

where \overline{DOD} is an amplitude of reference equal to 10%, DOD_k , and $CF_{SOC,final,k}$ are the amplitude and final state of charge of cycle k ; with k ranging all the cycles of discharge of the battery in one typical year. E_a is the activation energy of the reaction ($\sim 50,000$ J/mol for ageing reactions in lead-acid batteries), R the molar gas constant (8.3143 J/mol/°C) and T the temperature (°C). We consider that the batteries' calendar ageing limits the lifespan to a maximum of L_{max} years given by the manufacturer at 20 °C [34]. This maximal lifetime admissible for batteries is also multiplied by the factor of the Arrhenius law.

2.3. Economic Model

The output of the economic model is the life cycle cost LCC . This life cycle cost is split into variable costs, which depend on the sizing and the architecture of the PVWPS, and a fixed cost:

$$LCC = C_{init,var} + C_{repla,var} + C_{maint,var} + LCC_{fixe}, \quad (12)$$

where $C_{init,var}$ is the discounted variable capital cost, $C_{repla,var}$ is the sum of the discounted variable replacement costs, $C_{maint,var}$ is the sum of the discounted variable maintenance costs, and LCC_{fixe} is the life cycle fixed cost. Only the variable costs are detailed because the fixed cost LCC_{fixe} does not impact the optimisation results [41]. The term LCC_{fixe} is detailed in [13] and includes the initial, maintenance, and replacement costs of the borehole, the pipes, and taps.

The variable initial cost $C_{init,var}$ is:

$$C_{init,var} = C_{pv} + C_{MP} + \delta_t C_t + \delta_b (C_b + C_{cc}), \quad (13)$$

where C_{pv} , C_{MP} , C_t and C_b are the capital costs of the PV array, the motor-pump, the tank, and the battery, respectively; $(\delta_t, \delta_b) = (1, 0)$ for a tank PVWPS, and $(\delta_t, \delta_b) = (0, 1)$ for a battery PVWPS. The annual maintenance cost is estimated at 1% of the initial cost each year [13]. Thus, the discounted variable maintenance cost is:

$$C_{maint,var} = \sum_{i=1}^L \frac{0.01 C_{initial,var}}{(1 + dr)^i}, \quad (14)$$

where dr is the discount rate, and L is the lifetime of the system. The discounted replacement cost C_{repla} is given by:

$$C_{repla} = \sum_{i=1}^L \frac{NR(i)}{(1 + dr)^i}, \quad (15)$$

where $NR(i)$, the replacement costs for PVWPS at year i is:

$$NR(i) = \lambda_{pv}(i)C_{pv} + \lambda_{MP}(i)C_{MP} + \delta_t \lambda_t(i)C_t + \delta_b \lambda_b(i)C_b + \delta_b \lambda_{cc}(i)C_{cc} \quad (16)$$

where $\lambda_{pv}(i)$, $\lambda_{MP}(i)$, $\lambda_t(i)$, $\lambda_b(i)$, $\lambda_{cc}(i)$ are equal to 1 if i is a multiple of the PV array lifetime L_{pv} , the motor-pump lifetime L_{MP} , the tank lifetime L_t , the battery lifetime L_b or the charge controller lifetime L_{cc} , respectively, and 0 otherwise.

3. Case Study

3.1. PVWPS in Gogma, Burkina Faso

In the following, we consider the case study of the village of Gogma, located in the centre-eastern Burkina Faso, Sub-Saharan African. The village hosts 1100 inhabitants and there is no running water. A tank PVWPS is installed in Gogma since January 2018. Figure 3a shows this installation. A video of the system is also available on: <https://youtu.be/VrjM0edKVsl> (accessed on 17 March 2021). The PV array has a peak power $P_{pv,p}$ of 610 W_p , the motor-pump reference MP is a SQFlex 5A-7 (Grundfos) and the tank volume V_t is 11.4 m^3 . The PVWPS provides water to around 280 inhabitants of the village. Around 8 m^3 are pumped daily during the dry season and around 6 m^3 during wet season [26].

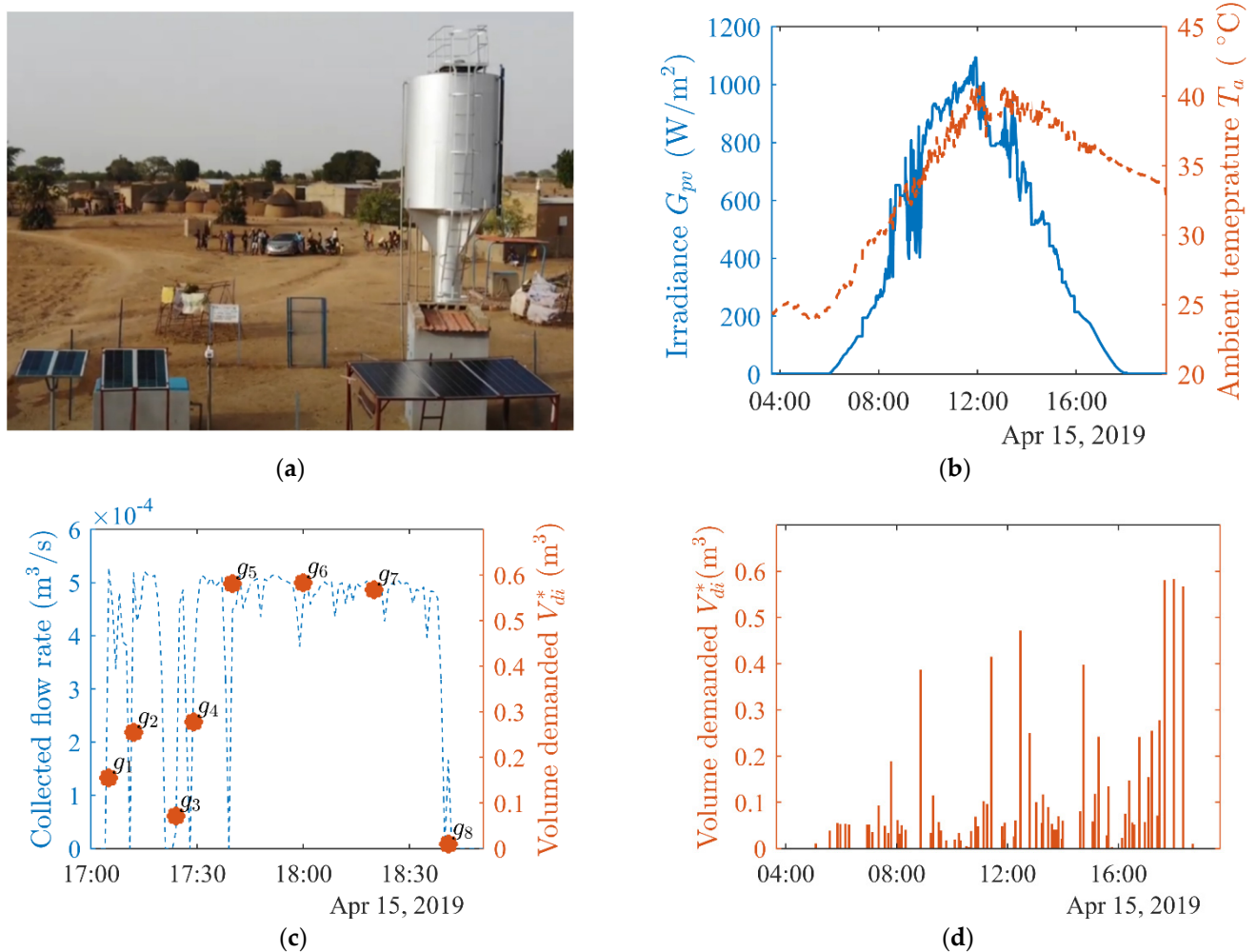


Figure 3. (a) Overview of the PVWPS of Gogma. (b) Measured irradiance on the plane of the PV modules G_{pv} and ambient temperature T_a (model inputs). (c) Measured collected flow rate. (d) Group of users g_i (model inputs).

Since January 2018, we have been collecting the irradiance on the plane of the PV array G_{pv} , the ambient temperature T_a , and the collected flow rate Q_c in Gogma with a time step of ~ 2.2 s [28]. The data used were rescaled to an equally spaced temporal resolution of 1 min by nearest interpolation [42,43]. The water demand is inferred from the collected flow rate and is characterized by a list of user groups g_i , with their arrival time t_i and their water demand volume V_{di}^* . It is possible to determine the demand profile from the collected flow rate because the current system of Gogma is oversized. An extract of the data measured by the sensors is shown in Figure 3b. We present the user groups g_i deduced from the collected flow rate in Figure 3c and the daily demand profile in Figure 3d.

3.2. Technical and Economic Models Parameters

Table 1 summarizes the technical parameters detailed in Section 2.2, for the case study of the PVWPS of Gogma. The costs considered are given in Table 2. We obtained these costs through a total of 16 company surveys in Burkina Faso [13,30,44].

Table 1. Technical parameters for Gogma.

Common to the Tank and Battery PVWPS	Relative to the Tank PVWPS	Relative to the Battery PVWPS
<i>System</i> $L = 20$ years <i>PV array</i> [45] $NOCT = 32$ °C $\gamma = -0.004$ °C ⁻¹	<i>Tank</i> [45] $H_{t,b} = 4.2$ m $H_{t,t} = 3.4$ m $H_{t,r} = 0.4$ m $H_{t,s} = 0.1$ m $H_{t,i} = 0.1$ m	<i>Lead-acid batteries</i> [34–36] $v_b = 48$ V $R_b = 6$ mΩ $\beta = 43.2$ V $\alpha = 7.5$ V $L_{max} = 8$ years
<i>Motor-pump</i> [29,41] $i_{MP,nom} = 8.4$ A Models: SQFlex 5A-3, SQFlex 0.6-2, SQFlex 8A-5, SQFlex8A-3, SQFlex 11A-3, SQFlex 1.2-2, SQFlex 5A-7 and SQFlex2.5-2	<i>Fountain</i> $Q_0 = 5.5 \times 10^{-4}$ m ³ /s	<i>Charge controller</i> [46] $v_{b,s} = 44.4$ V $v_{b,r} = 55.2$ V $v_{abs} = 57.6$ V $v_{fl} = 55.2$ V $\eta_{cc} = 98\%$ $i_{max} = 20$ A
<i>Hydraulic model</i> [41] $\kappa_0 = 2.4 \times 10^3$ s/m ² $\mu_0 = 8.4 \times 10^5$ s ² /m ⁵ $\psi = 4.9 \times 10^6$ s ² /m ⁵ $H_{b,s} = 7.5$ m		<i>Fountain</i> $H_{fo} = 1$ m

Table 2. Economic parameters for Gogma.

Common to Tank and Battery PVWPS	Relative to the Tank PVWPS	Relative to the Battery PVWPS
<i>PV array</i> [13] $C_{pv} = 0.79 P_{pv,p}$ [\$] $L_{pv} = 20$ years	<i>Steel tank</i> [13] $C_t = 6.2 \times 10^2 V_t + 5.2 \times 10^3$ [\$] $L_t = 20$ years	<i>Lead-acid batteries</i> [30] $C_b = 0.19 Cap_b + 126$ [\$] L_b is obtained from Equation (11)
<i>Motor-pump</i> [13] $C_{MP} = 2.2 \times 10^3$ \$ $L_{MP} = 10$ years		<i>Charge controller</i> [30,46] $C_{cc} = 150$ \$ $L_{cc} = 5$ years
<i>Discount rate</i> [44] $dr = 5.6\%$		
<i>Fixed costs</i> [13] $LCC_{fixe} = 1.78 \times 10^4$ \$		

4. Quantitative Comparison through Techno-Economic Optimization

4.1. Method

To find the most suitable architecture for a particular case, it is necessary to compare the optimized systems. We make separate optimizations for the two architectures and then compare these optimizations' results to determine the cheapest architecture. For each optimization, we use the differential evolution algorithm detailed in reference [47]. Technical models are evaluated during two weeks of the dry season (from the 8th to 21st of April 2019) and two weeks of the wet season (from the 24th of June to the 7th of July 2019) [41], to represent the whole year.

4.2. Formulation

The optimizations are formulated as follows:

For tank architecture:

$$\text{minimize } LCC_{P_{pv,p}, MP, V_t}$$

such that

$$\begin{aligned} \int_{t_i}^{t_{i+1}} Q_{c,t}(t) dt &\geq V_{di}^*, \forall i \in [1, N_g] \\ H_b(t) &> -30 \text{ m}, \forall t \\ TDH_t(t) &< H_{p,max}(MP), \forall t. \end{aligned} \quad (17)$$

For battery architecture:

$$\underset{P_{pv,p}, MP, Cap_b, Q^*}{\text{minimize}} \quad LCC$$

such that

$$\begin{aligned} \int_{t_i}^{t_{i+1}} Q_{c,b}(t) dt &\geq V_{di}^*, \quad \forall i \in [1, N_g] \\ H_b(t) &> -30 \text{ m}, \quad \forall t \\ TDH_b(t) &< H_{p,max}(MP), \quad \forall t. \end{aligned} \quad (18)$$

The optimization's objective is to minimize the life cycle cost (see Equation (12)). The optimization variables are the PV array peak power $P_{pv,p}$, the motor-pump reference MP , the size of the storage devices (tank volume V_t or battery capacity Cap_b), and the reference value of control mode Q^* in the case of a battery architecture. We consider that the PV array peak power can be comprised between 100 and 2000 W_p and the tank volume between 5 and 30 m^3 [13]. The principal constraint is to meet the current water demand at Gogma's PVWPS. We formulate this constraint by checking that the volume delivered between the arrival of a group i (at t_i) and the arrival of the next group (at t_{i+1}) is larger than the water demand volume of the group g_i (see Figure 3 and Section 3.1). The groups are constructed in such a way that they are separated by at least 20 min or a period without demand. N_g is the number of groups of users. Another constraint is that the water level in the borehole must remain above the position of the motor-pump. In Gogma, the motor-pump is 30 m below ground. The last constraint is that the total dynamic head TDH must remain lower than the maximum pumping height $H_{p,max}(MP)$ given in the datasheet of the motor-pump reference MP [41].

5. Results of the Optimizations and Comparison of Architectures

Table 3 presents the results of the optimization for both architectures. Another control mode of the motor-pump has been studied for battery architecture: a control by fixed power. The results found are very similar to those obtained for battery architecture with flow rate control, and the optimal sizing has slightly larger life cycle cost [30]. Therefore, these results are not detailed in this article.

Table 3. Comparison of tank and battery optimal PVWPS.

		Tank PVWPS	Battery PVWPS
Sizing	PV peak power $P_{pv,p}$	410 W_p	462 W_p
	Motor-pump reference MP	SQFlex 2.5-2	SQFlex 2.5-2
	Tank volume V_t	5 m^3	
	Battery capacity Cap_b		1673 Wh
	Control Variable Q^*		30.4 L/min
Economic	Variable costs	\$13.3 k	\$6.3 k
	Fixed costs	\$17.8 k	\$17.8 k
	<i>LCC</i>	\$31.1 k	\$24.1 k
Maintenance	Storage replacements	0	5
	Starts and stops per day	max: 8—mean: 4	max: 107—mean: 84
	Availability of spare parts	Not applicable	Low
Environment	Toxicity	Low	High (lead)
	Maximum pumped flow rate	48.3 L/min	30.4 L/min
	Lowest water level in the borehole	−10.0 m	−8.9 m

Figure 4 compares the pumped and collected flow rates on a fraction of the 15th of April 2019, for both optimized architectures. It shows that the pumped flow rate is larger for the tank PVWPS but that the motor-pump starts and stops more for the battery PVWPS. The collected flow rates are similar for both PVWPS and each group demand is satisfied. While the tank architecture has been experimented on in [28], the battery architecture still needs to be implemented and monitored to experimentally confirm these results.

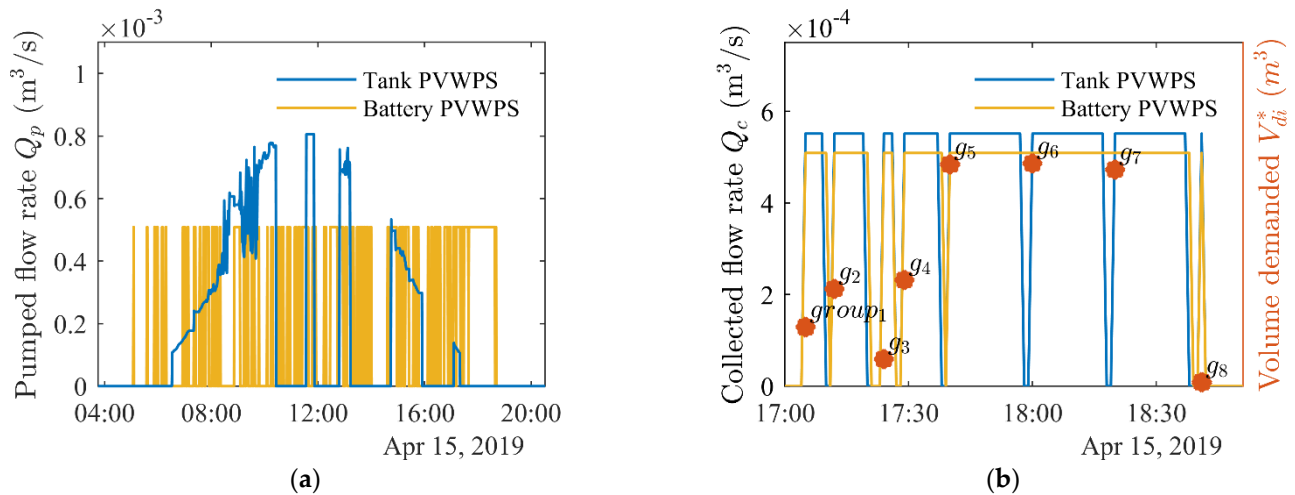


Figure 4. (a) Comparison of pumped flow rates for both optimized architectures. (b) Comparison of collected flow rates for both optimized architectures.

Figure 5 presents the breakdown of the variable costs for each system. It shows the repartition between the costs for initial installation, maintenance, and replacement. It also shows the different components' share in these costs.

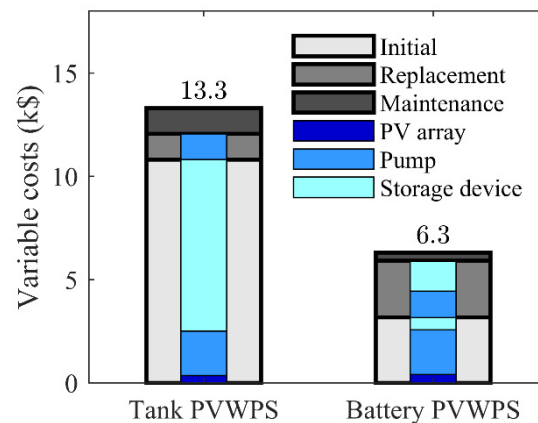


Figure 5. Breakdowns of variable costs of both optimized architectures.

In terms of life cycle cost, the battery architecture is cheaper for the case study of Gogma. This is mainly due to the difference in initial cost between both architectures (see Figure 5) because of the cost of storage devices. Indeed, the tank is a lot more expensive than the battery bank. However, it is interesting to note that the variable costs represent only 27 to 43% of the LCC. Thus, the choice of an adapted architecture and the optimization of sizing impacts only a fraction of the cost.

Non-economic criteria should also be considered: modularity, number of starts, and stops of the motor-pump, availability, impact on groundwater resources and toxicity.

Firstly, the battery architecture is more modular than the tank architecture. It is easier to change the battery bank's capacity (during a replacement of the whole battery bank) than to change the tank's volume. As it can be hard to estimate the water demand, the sizing can

be challenging to adjust, and having flexibility after the installation of the system is a great advantage. Moreover, the demand of a population can change during the lifetime of the system, because of the population's evolution and activities. Once again, the modularity of battery PVWPS is beneficial.

Secondly, the battery PVWPS is more stressful for the motor-pump than the tank PVWPS. In the presented case study, the tank PVWPS requires a maximum of eight starts and stops of the motor-pump per day with an average of four starts and stops; while the battery PVWPS requires a maximum of 107 starts and stops per day with an average of 84 starts and stops and a lot of starts and stops is more damaging for the pump than a continuous operation. However, the number of starts and stops remains in the range of operation of the considered motor-pumps for both architectures (at least 150 starts and stops per day [48,49]).

Thirdly, the use of batteries can also decrease the system availability. Indeed, in this case study, five replacements of the battery are needed throughout the lifetime of the PVWPS. Moreover, battery lifetime can be largely reduced if the discharge cycles are not well managed and regulated by an adapted charge controller [37,38,50]. The risk brought by batteries on the overall system's availability is increased by thefts, notably because batteries are relatively small and expensive [51]. Battery replacements must be planned to ensure a long operation time of the system despite their relatively short lifetime. Several examples show that these replacements can be hard to ensure. It has been reported that technicians were sometimes unable to provide replacements [52], mostly because adequate batteries were not available. Sometimes the deep cycles batteries were replaced by automotive batteries [53]. These batteries cannot stand deep cycles, so they will have a shorter lifespan and endanger the system's sustainability. An adapted replacement framework must then be implemented when a battery PVWPS is installed.

Fourthly, in terms of impact on groundwater resources, the battery architecture threatens the sustainability of groundwater resources in the case of Gogma less. In our case study, thanks to the controlled pumping rate (see Figure 4a), the battery PVWPS has a maximum pumped flow rate of 17.9 L/min inferior to the tank one. Excessive pumped flow rates and drawdown can have dangerous consequences on the borehole and the whole aquifer [54]. Narvarte et al. underlined that an important pumped flow rate could damage the internal surface below the water table and create some voids. This phenomenon can result in the collapse of the borehole [55]. Moreover, important pumped flow rates may modify the structure of the surrounding soil and of the pressure map, and can create cavities like sinkholes [56] or even subsidence of the whole region [57].

Finally, in terms of toxicity, lead-acid batteries contain lead and antimony, which are particularly toxic. Leaks often resulting from a lack of maintenance [58] and can be dangerous for human health and the surrounding environment. Moreover, the unregulated recycling of lead batteries in Burkina Faso creates a health danger for the population (lead exposure) and concerns non-governmental organizations [59]. On the contrary, tanks that are usually found in these areas are made of stainless steel [44] which is not toxic but they can be a source of pollution if they are not decommissioned at their end of life.

6. Conclusions

The techno-economic analysis carried out for the village of Gogma defines optimal sizing for two architectures: battery and tank. The optimization results indicate that opting for a battery PVWPS instead of a tank PVWPS reduces the life cycle cost of the system by 22% (\$31.1k for tank architecture and \$24.1k for battery architecture). Moreover, the distribution of costs over the lifetime of the system is different between the two solutions. The initial cost is slightly larger for a tank PVWPS (84% for the tank architecture against 74% for the battery architecture). The results found for this case study could be relevant to similar isolated villages. As the initial and life cycle costs are barriers to installation for rural communities, the PVWPS with battery storage may benefit a larger community share.

However, the battery PVWPS requires to be replaced several times throughout its lifetime (20 years) while the tank lasts the whole PVWPS lifetime.

Each decision-maker will therefore have to select the best PVWPS adapted to his or her situation, considering the results of this techno-economic optimization and other aspects described here.

Several tracks can be considered to mitigate the difficulties brought by using batteries. The system's maintenance including battery replacements could be closely supervised by the installer, during the whole lifetime of the system. Local people could also be trained to maintain the system. It is possible to mitigate some viability problems directly in the techno-economic optimization by adding, for instance, a constraint on the minimum lifetime of batteries, and choosing sizing where replacements are less frequent. However, it is essential to keep in mind that, given the climate in sub-Saharan Africa, current lead-acid batteries can last at the most four years, making their replacements unavoidable. Finally, only lead-acid batteries have been considered in this article because data collection showed that it is the only technology currently widely available in low-income rural areas. However, lithium-ion batteries, which are emerging in rural and isolated areas for stand-alone renewable energy systems [60], could mitigate some challenges, notably thanks to their longer lifespan and greater modularity [31,61,62]. They could thus be the object of future work. Note that an ageing model and charge control adapted to lithium-ion batteries should then be implemented.

In regard to the tank architecture, it would be helpful to expand the range of data collected for tank costs as this could allow the use of cheaper tanks, smaller than 5 m³ volume. For volumes between 2 and 10 m³, plastic tanks, which are cheaper, are usually used. A study of their costs in Burkina Faso has already been performed [44] but a study of their suitability for drinkable water is necessary before including them into the optimization.

The optimization methodology and comparison approach developed in this article may be used elsewhere in developing countries, and where irradiance, temperature, and water demand of the population are known. Our research did not yield a universal and most suitable architecture, but provides a methodology for optimizing and comparing these two systems in any situation. Therefore, this study can be useful to non-governmental organizations, companies, and governments that aim to install PVWPS for domestic water supply. First, it can guide their choice of architecture and help them to size the components. Second, it allows to predict the PVWPS operation before installation.

Author Contributions: Conceptualization, C.S., V.R., S.M., J.A.C., A.D., P.D. and L.Q.; methodology, C.S., V.R., S.M., J.A.C. and L.Q.; software, C.S., S.M., and P.D.; investigation, C.S.; data curation, C.S., S.M., and A.D.; writing—original draft preparation, C.S.; writing—review and editing, C.S., V.R., S.M., J.A.C., A.D., P.D. and L.Q.; visualization, C.S.; supervision, V.R., S.M., J.A.C. and L.Q.; project administration, V.R., S.M. and J.A.C. All authors have read and agreed to the published version of the manuscript.

Funding: This research was supported by a public grant overseen by the French National Research Agency (ANR) as part of the «Investissement d'Avenir» program, through the "IDI 2016" project funded by the IDEX Paris-Saclay, ANR-11-IDEX0003-02.

Data Availability Statement: Data can be made available upon request.

Acknowledgments: We thank the 280 contributors of the Turning Sun into Water project and the associations Eau Fil du Soleil and Respublica that allowed to finance the photovoltaic water pumping system of Gogma.

Conflicts of Interest: The authors declare no conflict of interest.

Nomenclature

$b(t)$	triggering signal from the switch
Cap_b	battery capacity (Wh)
$C_b, C_{cc}, C_{MP}, C_{pv}, C_t$	CAPEX (battery, charge controller, motor-pump, PV array, tank) (\$)
$CF_{SOC,final,k}$	final state of charge of cycle k
$C_{init,var}$	initial variable cost (\$)
$C_{maint,var}$	maintenance variable cost (\$)
$C_{repla,var}$	replacement variable cost (\$)
γ	temperature coefficient of the maximum power point ($^{\circ}C^{-1}$)
\overline{DOD}_k	depth of discharge of cycle k
\overline{DOD}	amplitude of reference
dr	discount rate
δ_{tap}	state of the tap (open/close)
δ_b, δ_t	type of architecture (battery/tank)
E_a	activation energy (J/mol)
E_{sto}	energy stored in battery (Wh)
G_{pv}	irradiance on the plane of PV (W/m^2)
$g_i : (t_i, V_{ci}^*)$	group of users (time of arrival, volume of water demanded (m^3))
$H_{t,b}$	height between bottom of the tank and water level in the tank (m)
$H_{t,c}$	height of tank (m)
$H_{t,i}$	height between top of the tank and its entry level (m)
$H_{t,s}$	height between entry level and stop level in the tank (m)
$H_{t,r}$	height between stop level and restart level in the tank (m)
$H_t(t)$	level of water in the tank (m)
$H_{b,s}$	height between ground level and static water level in the borehole (m)
$H_{b,d}(t)$	height between static water level and water level during pumping (m)
H_{fo}	height between ground level and fountain (m)
$H_{p,max}(MP)$	maximum TDH for motor-pumps (m)
η_b	efficiency of battery charging
η_{cc}	efficiency of charge controller
$i_b(t)$	current from battery to motor-pump (A)
i_{max}	maximum current from battery (A)
$i_{MP,nom}$	nominal current of motor-pump (A)
κ_0	aquifer losses coefficient (s/m^2)
$L_b, L_{cc}, L_{MP}, L_{pv}, L_t$	lifetime (battery, charge controller, motor-pump, PV array, tank) (year)
LCC	life cycle cost (\$)
LCC_{fixe}	fixed part of life cycle cost (\$)
MP	reference of motor pump
μ_0	borehole losses coefficients (s^2/m^5)
$NR(i)$	variable replacement costs of year i (\$)
NOCT	Normal Operating Cell Temperature
$P_{MP}(t)$	power consumed by the motor-pump (W)
$P_{MP,max}(t)$	maximum power to motor-pump (W)
$P_{pv}(t)$	power generated by PV array (W)
$P_{pv,p}$	peak power of PV array (W_p)
$P_{sto}(t)$	power to battery (W)
Q_p^*	reference flow rate (m^3/s)
$Q_{c,0}$	nominal flow rate of the fountain tank (m^3/s)
$Q_{c,t}(t), Q_{c,b}(t)$	collected flow rate of tank/battery architecture (m^3/s)
$Q_p(t)$	pumped flow rate (m^3/s)

R_b	battery resistance (Ω)
R	Arrhenius constant ($\text{J}\cdot\text{mol}^{-1}\cdot\text{K}^{-1}$)
S_t	surface of the base of the tank (m^2)
$\text{SOC}(t)$	state of charge of the battery
$T_a(t)$	ambient temperature ($^{\circ}\text{C}$)
$\text{TDH}(t)$	total dynamic head (m)
v_{abs}, v_{fl}	voltage of battery during absorption/float phase (V)
$v_b(t)$	voltage of battery (V)
$v_{b,r}$	reconnection level of motor-pump for charge controller (V)
$v_{b,s}$	disconnection level of motor-pump for charge controller (V)
V_t	volume of tank (m^3)
ψ	pipe pressure losses coefficient (s^2/m^5)

References

- Muhsen, D.H.; Khatib, T.; Nagi, F. A review of photovoltaic water pumping system designing methods, control strategies and field performance. *Renew. Sustain. Energy Rev.* **2017**, *68*, 70–86. [\[CrossRef\]](#)
- Barhdadi, A. Photovoltaic Water Pumping Systems in Rural Areas Photovoltaic Water Pumping Systems in Rural Areas. In Proceedings of the 4 International Conference on Water Resources and Arid Environments (ICWRAE 4), Riyadh, Saudi Arabia, 5–8 December 2010; pp. 836–843.
- Aliyu, M.; Hassan, G.; Elamin, I.M.; Said, S.A.; Siddiqui, M.U.; Alawami, A.T. A review of solar-powered water pumping systems. *Renew. Sustain. Energy Rev.* **2018**, *87*, 61–76. [\[CrossRef\]](#)
- Li, G.; Jin, Y.; Akram, M.W.; Chen, X. Research and current status of the solar photovoltaic water pumping system—A review. *Renew. Sustain. Energy Rev.* **2017**, *79*, 440–458. [\[CrossRef\]](#)
- Parajuli, R.; Pokharel, G.R.; Østergaard, P.A. A comparison of diesel, biodiesel and solar PV-based water pumping systems in the context of rural Nepal. *Int. J. Sustain. Energy* **2014**, *33*, 536–553. [\[CrossRef\]](#)
- Chilundo, R.J.; Mahanjane, U.S.; Neves, D. Design and Performance of Photovoltaic Water Pumping Systems: Comprehensive Review towards a Renewable Strategy for Mozambique. *J. Power Energy Eng.* **2018**, *6*, 32–63. [\[CrossRef\]](#)
- Skretas, S.B.; Papadopoulos, D.P. Systematic procedure for efficient design of electric water pumping systems fed by PV or/and WECS: Application using measured meteorological data for the city of Xanthi/Thrace, Greece. *Energy Convers. Manag.* **2008**, *49*, 596–607. [\[CrossRef\]](#)
- Chandel, S.S.; Nagaraju Naik, M.; Chandel, R. Review of solar photovoltaic water pumping system technology for irrigation and community drinking water supplies. *Renew. Sustain. Energy Rev.* **2015**, *49*, 1084–1099. [\[CrossRef\]](#)
- Chandel, S.S.; Naik, M.N.; Chandel, R. Review of performance studies of direct coupled photovoltaic water pumping systems and case study. *Renew. Sustain. Energy Rev.* **2017**, *76*, 163–175. [\[CrossRef\]](#)
- Dhiaa Muhsen, H.; Ghazali, A.B.; Khatib, T. Multiobjective differential evolution algorithm-based sizing of a standalone photovoltaic water pumping system. *Energy Convers. Manag.* **2016**, *118*, 32–43. [\[CrossRef\]](#)
- Bouzidi, B. New sizing method of PV water pumping systems. *Sustain. Energy Technol. Assess.* **2013**, *4*, 1–10. [\[CrossRef\]](#)
- Bakelli, Y.; Hadj Arab, A.; Azoui, B. Optimal sizing of photovoltaic pumping system with water tank storage using LPSP concept. *Sol. Energy* **2011**, *85*, 288–294. [\[CrossRef\]](#)
- Meunier, S. Optimal Design of Photovoltaic Water Pumping Systems for Rural Communities—A Technical, Economic and Social Approach. Ph.D. Thesis, Université Paris-Saclay, Gif-sur-Yvette, France, 2019.
- Anis, W.R.; Nour, M.A. Optimum design of a photovoltaic powered pumping system. *Energy Convers. Manag.* **1994**, *35*, 1123–1130. [\[CrossRef\]](#)
- Khan, M.T.A.; Ahmed, M.R.; Ahmed, S.I.; Khan, S.I. Design and performance analysis of water pumping using solar PV. In Proceedings of the 2nd International Conference on the Developments in Renewable Energy Technology, ICDRET 2012, Dhaka, Bangladesh, 26–28 March 2012; pp. 48–51.
- Meah, K.; Fletcher, S.; Ula, S. Solar photovoltaic water pumping for remote locations. *Renew. Sustain. Energy Rev.* **2008**, *12*, 472–487. [\[CrossRef\]](#)
- Gopal, C.; Mohanraj, M.; Chandramohan, P.; Chandrasekar, P. Renewable energy source water pumping systems—A literature review. *Renew. Sustain. Energy Rev.* **2013**, *25*, 351–370. [\[CrossRef\]](#)
- Chand, V.; Kalamkar, V.R. Solar photovoltaic water pumping system—A comprehensive review. *Renew. Sustain. Energy Rev.* **2016**, *59*, 1038–1067. [\[CrossRef\]](#)
- Khatib, T.; Mohamed, A.; Sopian, K. A review of photovoltaic systems size optimization techniques. *Renew. Sustain. Energy Rev.* **2013**, *22*, 454–465. [\[CrossRef\]](#)
- Muhsen, D.H.; Ghazali, A.B.; Khatib, T.; Abed, I.A.; Natsheh, E.M. Sizing of a standalone photovoltaic water pumping system using a multi-objective evolutionary algorithm. *Energy* **2016**, *109*, 961–973. [\[CrossRef\]](#)
- Basalike, P. Design, Optimization and Economic Analysis of Photovoltaic Water Pumping Technologies. Master's Thesis, School of Business, Society and Engineering, Mälardalen University, Eskilstuna Västerås, Sweden, 2015.

22. Sidrach-de-Cardona, M.; López, L.M. A simple model for sizing stand alone photovoltaic systems. *Sol. Energy Mater. Sol. Cells* **1998**, *55*, 199–214. [[CrossRef](#)]
23. Vick, B.D.; Clark, R.N. Determining the optimum solar water pumping system for domestic use, livestock watering or irrigation. In Proceedings of the 38th ASES National Solar Conference, SOLAR, Buffalo, New York, NY, USA, 11–16 May 2009; Volume 4, pp. 2212–2239.
24. Watson, S.; Bian, D.; Sahraei, N.; Winter, A.G.; Buonassisi, T.; Peters, I.M. Advantages of operation flexibility and load sizing for PV-powered system design. *Sol. Energy* **2018**, *162*, 132–139. [[CrossRef](#)]
25. Pardo, M.Á.; Cobacho, R.; Bañón, L. Standalone photovoltaic direct pumping in urban water pressurized networks with energy storage in tanks or batteries. *Sustainability* **2020**, *12*, 738. [[CrossRef](#)]
26. Meunier, S.; Queval, L.; Darga, A.; Dessante, P.; Marchand, C.; Heinrich, M.; Cherni, J.A.; De La Fresnaye, E.A.; Vido, L.; Multon, B.; et al. Modelling and optimal sizing of photovoltaic water pumping systems—Sensitivity analysis. In Proceedings of the 2019 14th International Conference on Ecological Vehicles and Renewable Energies, EVER 2019, Monte-Carlo, Monaco, 8–10 May 2019.
27. Kazem, H.A.; Al-Waeli, A.H.A.; Chaichan, M.T.; Al-Mamari, A.S.; Al-Kabi, A.H. Design, measurement and evaluation of photovoltaic pumping system for rural areas in Oman. *Environ. Dev. Sustain.* **2017**, *19*, 1041–1053. [[CrossRef](#)]
28. Meunier, S.; Heinrich, M.; Quéval, L.; Cherni, J.A.; Vido, L.; Darga, A.; Dessante, P.; Multon, B.; Kitanidis, P.K.; Marchand, C. A validated model of a photovoltaic water pumping system for off-grid rural communities. *Appl. Energy* **2019**, *241*, 580–591. [[CrossRef](#)]
29. Grundfos SQFlex Data Booklet. Available online: <https://www.solarpumpsafrika.com/wp-content/uploads/2014/07/SQ-Flex-Data-Booklet-May-2017.pdf> (accessed on 3 April 2020).
30. Soenen, C. An Analysis of Adapted Storage Approaches for Photovoltaic Water Pumping Systems in Developing Countries. Master's Thesis, Imperial College London, London, UK, 2020.
31. Dufo-Lopez, R.; Zubi, G.; Fracastoro, G.V. Tecno-economic assessment of an off-grid PV-powered community kitchen for developing regions. *Appl. Energy* **2012**, *91*, 255–262. [[CrossRef](#)]
32. Stevens, J.W.; Corey, G.P. Study of lead-acid battery efficiency near top-of-charge and the impact on PV system design. In Proceedings of the Conference Record of the IEEE Photovoltaic Specialists Conference, Washington, DC, USA, 13–17 May 1996; pp. 1485–1488.
33. Dini, M. Modélisation et Identification des Paramètres Internes d'une Batterie au Plomb pour la Gestion d'un Microgrid. Master's Thesis, Centrale Supélec, Gif-sur-Yvette, France, 2019.
34. Victron Energy Gel et AGM Batteries Datasheet. Available online: <https://www.victronenergy.com/upload/documents/Datasheet-GEL-and-AGM-Batteries-EN.pdf> (accessed on 7 May 2020).
35. Ultracell Ucg 100AH-12V Lead-Acid Battery. Available online: <https://ultracell.co.uk/www.ultracell.co.uk/products/ucg-batteries/12v.html> (accessed on 17 January 2020).
36. Felicity Solar Solar Battery: User Instructions. Available online: <https://www.energy-xprt.com/downloads/felicity-solar-model-fl-g-200ah12v-12v-200ah-gel-solar-battery-brochure-811472> (accessed on 17 January 2020).
37. Gustavsson, M.; Mtonga, D. Lead-acid battery capacity in solar home systems—Field tests and experiences in Lundazi, Zambia. *Sol. Energy* **2005**, *79*, 551–558. [[CrossRef](#)]
38. ACP-EU Energy Facility. *Batteries—A Key Constraint for Off-Grid Solar. Experiences from EU-Supported Projects 2007–2019*; FONDEM: Paris, France, 2019; pp. 1–27.
39. Langella, R.; Testa, A.; Ventre, C. A new model of lead-acid batteries lifetime in smart grid scenario. In Proceedings of the Energycon 2014—IEEE International Energy Conference, Dubrovnik, Croatia, 13–16 May 2014; pp. 1343–1348.
40. Nguyen, T.M.P. Lead Acid Batteries in Extreme Conditions: Accelerated Charge, Maintaining the Charge with Imposed Low Current, Polarity Inversions Introducing Non-Conventional Charge Methods. Ph.D. Thesis, Université Montpellier II, Montpellier, France, 2009.
41. Vezin, T.; Meunier, S.; Quéval, L.; Cherni, J.A.; Vido, L.; Darga, A.; Dessante, P.; Kitanidis, P.K.; Marchand, C. Borehole water level model for photovoltaic water pumping systems. *Appl. Energy* **2020**, *258*, 114080. [[CrossRef](#)]
42. Meunier, S.; Queval, L.; Heinrich, M.; De La Fresnaye, E.A.; Cherni, J.A.; Vido, L.; Darga, A.; Dessante, P.; Multon, B.; Kitanidis, P.K.; et al. Effect of irradiance data on the optimal sizing of photovoltaic water pumping systems. In Proceedings of the Conference Record of the IEEE Photovoltaic Specialists Conference, Chicago, IL, USA, 16–21 June 2019; pp. 653–658.
43. Meunier, S.; Queval, L.; Darga, A.; Dessante, P.; Marchand, C.; Heinrich, M.; Cherni, J.; Vido, L.; Multon, B. Influence of The Temporal Resolution of The Water Consumption Profile on Photovoltaic Water Pumping Systems Modelling and Sizing. In Proceedings of the 2018 7th International Conference on Renewable Energy Research and Applications, Paris, France, 14–17 October 2018; pp. 494–499.
44. De La Fresnaye, E.A. A Financial and Technical Assessment of Solar Versus Hand Water Pumping for Off-Grid Area—The Case of Burkina Faso. Master's Thesis, Imperial College London, London, UK, 2018.
45. Meunier, S.; Queval, L.; Darga, A.; Dessante, P.; Marchand, C.; Heinrich, M.; Cherni, J.A.; De La Fresnaye, E.A.; Vido, L.; Multon, B.; et al. Sensitivity Analysis of Photovoltaic Pumping Systems for Domestic Water Supply. *IEEE Trans. Ind. Appl.* **2020**, *56*, 6734–6743. [[CrossRef](#)]

46. Victron Energy Contrôleurs de Charge SmartSolar Avec Sortie de Charge. Available online: <https://www.victronenergy.com/solar-charge-controllers/smartsolar-mppt-75-10-75-15-100-15-100-20> (accessed on 27 February 2021).
47. Price, K.; Storn, R.; Lampinen, J. *Differential Evolution: A Practical Approach to Global Optimization*; Rozenberg, G., Ed.; Springer: Berlin/Heidelberg, Germany, 2005; ISBN 9783540209508.
48. Lorentz the Solar Water Pumping Company PS2: The Complete, Efficient, Solar Water Pumping Solution Delivering You more Water! Available online: https://partnernet.lorentz.de/files/lorentz_ps2_product-brochure_en.pdf (accessed on 31 October 2019).
49. Franklin Electric. Franklin Water Products. Available online: <https://franklinwater.com/> (accessed on 12 July 2020).
50. Hankins, M. *Solar Electric Systems for Africa: A Guide for Planning and Installing Solar Systems in Rural Africa*; Simalenga, T., Ed.; Commonwealth Science Council: London, UK, 1995; ISBN 9781437735789.
51. Short, T.D.; Oldach, R. Solar powered water pumps: The past, the present—And the future? *J. Sol. Energy Eng. Trans. ASME* **2003**, *125*, 76–82. [[CrossRef](#)]
52. Dornan, M. Solar-based rural electrification policy design: The Renewable Energy Service Company (RESCO) model in Fiji. *Renew. Energy* **2011**, *36*, 797–803. [[CrossRef](#)]
53. Martz, J.E.; Roberts, A.F. *Operational Performance of the Photovoltaic-Powered Grain Mill and Water Pump at Tangaye, Burkina Faso (Formerly Upper Volta)*; Final Report; NASA: Washington, DC, USA, 1985.
54. Foster, S.; Chilton, P. Groundwater: The processes and global significance of aquifer degradation. *Philos. Trans. R. Soc. B Biol. Sci.* **2003**, *358*, 1957–1972. [[CrossRef](#)]
55. Narvarde, L.; Lorenzo, E.; Caamano, E. PV pumping analytical design and characteristics of boreholes. *Sol. Energy* **2000**, *68*, 49–56. [[CrossRef](#)]
56. Doğan, U.; Yilmaz, M. Natural and induced sinkholes of the Obruk Plateau and Karapidotlessnar-Hotam Plain, Turkey. *J. Asian Earth Sci.* **2011**, *40*, 496–508. [[CrossRef](#)]
57. Teatini, P.; Ferronato, M.; Gambolati, G.; Gonella, M. Groundwater pumping and land subsidence in the Emilia-Romagna coastland, Italy: Modeling the past occurrence and the future trend. *Water Resour. Res.* **2006**, *42*, 1–19. [[CrossRef](#)]
58. Zhang, J.; Chen, C.; Zhang, X.; Liu, S. Study on the Environmental Risk Assessment of Lead-Acid Batteries. *Procedia Environ. Sci.* **2016**, *31*, 873–879. [[CrossRef](#)]
59. United Nations Environment Programm. *Workshop on Sound Management of Used Lead Acid Batteries in Africa*; UNEP: Ouagadougou, Burkina Faso, 2017.
60. Zubi, G.; Dufo-López, R.; Carvalho, M.; Pasaoglu, G. The lithium-ion battery: State of the art and future perspectives. *Renew. Sustain. Energy Rev.* **2018**, *89*, 292–308. [[CrossRef](#)]
61. Diouf, B.; Poda, R. Potential of lithium-ion batteries in renewable energy. *Renew. Energy* **2015**, *76*, 375–380. [[CrossRef](#)]
62. Anuphaphpharadorn, S.; Sukchai, S.; Sirisamphanwong, C.; Ketjoy, N. Comparison the economic analysis of the battery between lithium-ion and lead-acid in PV stand-alone application. *Energy Procedia* **2014**, *56*, 352–358. [[CrossRef](#)]